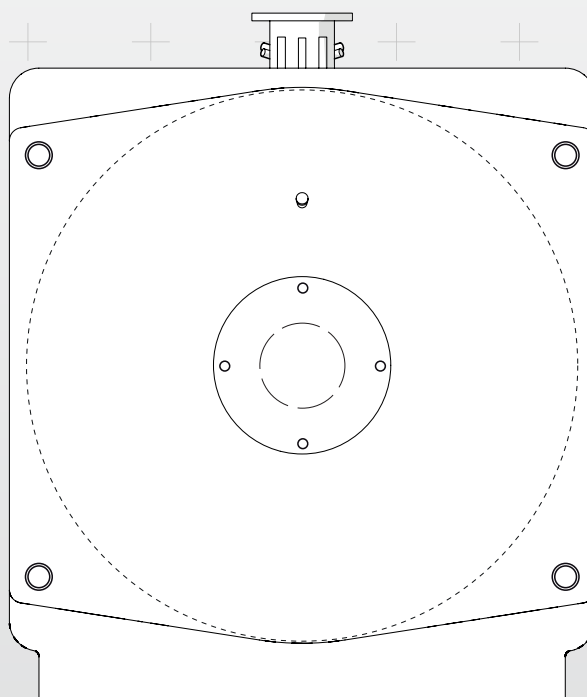




EN

PRESSURISED STEEL BOILERS

REX 140-350



INSTALLATION, USE AND MAINTENANCE MANUAL



REX_140_350_en_02 - 08/2019

INDEX

General information

- 3 Introduction
- 3 Range
- 3 Compliance
- 3 Warranty
- 4 Warnings
- 4 Prohibitions
- 5 Hazards
- 5 Identification
- 6 Appliance description
- 6 Structure
- 7 Dimensions and connections
- 8 Technical data
- 9 Control panel
- 9 Burners

Installation

- 10 Product receipt
- 11 Handling
- 11 Installation room
- 12 System cleaning
- 12 Hydraulic connections
- 12 Starting hydraulic circuit
 - 12 *Water circulation*
- 13 Flue gas discharge and combustion air suction
- 14 Control panel installation
- 15 Front door opening
 - 15 *Door opening inversion (to the right) for models from 140 to 180*
- 16 Front door adjustment
 - 16 *Door adjustment (opening on the right)*

- 16 Turbulator assembly
- 17 Burner assembly
- 17 Electrical connections
- 18 Water treatment
 - 18 *Limestone build-ups*
 - 18 *Limestone diagram*
 - 18 *Corrosion on water side*
- 19 System filling and emptying

Use

- 20 Preliminary checks
- 20 Commissioning
- 20 Checks after commissioning
- 22 Stop periods
 - 22 *Short periods of time*
 - 22 *Long periods of time*
- 22 Decommissioning of old appliances

Maintenance

- 23 Boiler
- 24 Burner
- 25 Any anomalies and remedies
- 25 Environmental protection and disposal
- 26 Exploded views of drawings

Useful information and declarations

- 27 QR code
- 28 Declaration of Conformity

Notes

Notes

SYMBOLS USED IN THE MANUAL



DANGER

To indicate actions that, if not performed correctly, can result in injury of generic origin or may generate malfunction or damage to the appliance; therefore require particular caution and adequate preparation.



IT IS FORBIDDEN

To indicate operations that SHOULD NOT be performed.



IMPORTANT

To indicate particularly useful information and important.

The illustrations and data presented are not binding. The company reserves the right to make without prior notice any changes it deems appropriate for continuous improvement and constant updating.

1 *General information*

INTRODUCTION

Dear Customer,

Thank you for having chosen an appliance of the series **REX**, a high quality and efficiency product, reliable and safe.

We recommend entrusting its maintenance to **Professionally Qualified Personnel** who, when necessary, uses original spare parts. This manual contains important information and suggestions that must be observed for easier installation and best possible use of the appliance.



IMPORTANT

Failure to observe the instructions in this manual will void the warranty conditions.

RANGE

MODEL	CODE	MODEL	CODE
REX 140	83813010	REX 240	83816010
REX 160	83813020	REX 300	83817010
REX 180	83814010	REX 350	83818010
REX 200	83815010		

COMPLIANCE

REX boilers comply with the following European Directives:

- European Regulation on Gas Equipment GAR 2016/426/EU
- Low Voltage Directive 2014/35/EU
- Electromagnetic Compatibility Directive 2014/30/EU
-
- Energy efficiency ★★



NOTE

The serial number is indicated on the boiler technical nameplate.

WARRANTY

The warranty conditions for boilers series **REX** are included in the CONSTRUCTION - WARRANTY CERTIFICATE supplied with the product.

WARNINGS



IMPORTANT

- The appliance must be used for the purposes for which it has been expressly designed and any manufacturer's liability shall be excluded in case of damage to persons, animals or property due to insufficient maintenance or improper use.
- This manual is an integral part of the boiler and must be carefully read before installation and commissioning of the appliance. Moreover, it must be carefully stored for subsequent consultations and must ALWAYS accompany the boiler during its entire life-cycle (from installation to disposal). In case of damage or loss, request a copy from **ICI CALDAIE S.p.A.** Technical Assistance Service.
- The appliance is delivered in several separated packages. Upon receipt, check that the supply is intact and undamaged and promptly contact the **ICI CALDAIE S.p.A.** if it does not correspond to the order.
- The installation of **REX** boilers must be performed by a Certified Body which, at the end of the operation, must provide the owner with the declaration of conformity certifying that the installation has been correctly carried out, namely in compliance with the Standards and the national and local Laws in force, and with the indications included in the instruction manuals supplied by **ICI CALDAIE S.p.A.**
- The maintenance of the appliance is a legislative obligation. The User must have it carried out by an Authorised Company or by qualified personnel (maintenance technician) in compliance with the requirements of the local Standards in force.
- Ordinary and extraordinary maintenance must be carried out by qualified personnel in order to promptly detect any damage to the boiler body under pressure and to the safety and control accessories.

PROHIBITIONS



IT IS FORBIDDEN

- Operate electrical devices or appliances such as switches, household appliances, etc. if you smell fuel or unburnt materials. In this case:
 - ventilate the room by opening doors and windows
 - close the fuel shut-off device
 - ask the Technical Assistance Service or qualified personnel to intervene as soon as possible.
- Any technical or cleaning operation carried out before disconnecting the appliance from the power supply mains, by positioning the system main switch and the control panel main switch to "OFF".
- Modifying safety or adjustment devices without the boiler manufacturer's authorisation and indications.
- Plug or dimensionally reduce the ventilation openings of the installation room. The ventilation openings are essential for proper combustion.
- Exposing the boiler to atmospheric agents. It is not designed to operate outdoor and it does not feature automatic anti-freeze systems.
- Leave flammable substances and containers in the room where the appliance is installed.
- Disperse the packaging material in the environment and leave it within the reach of children as it may be a potential source of danger. It must be disposed of in accordance with the legislation in force.

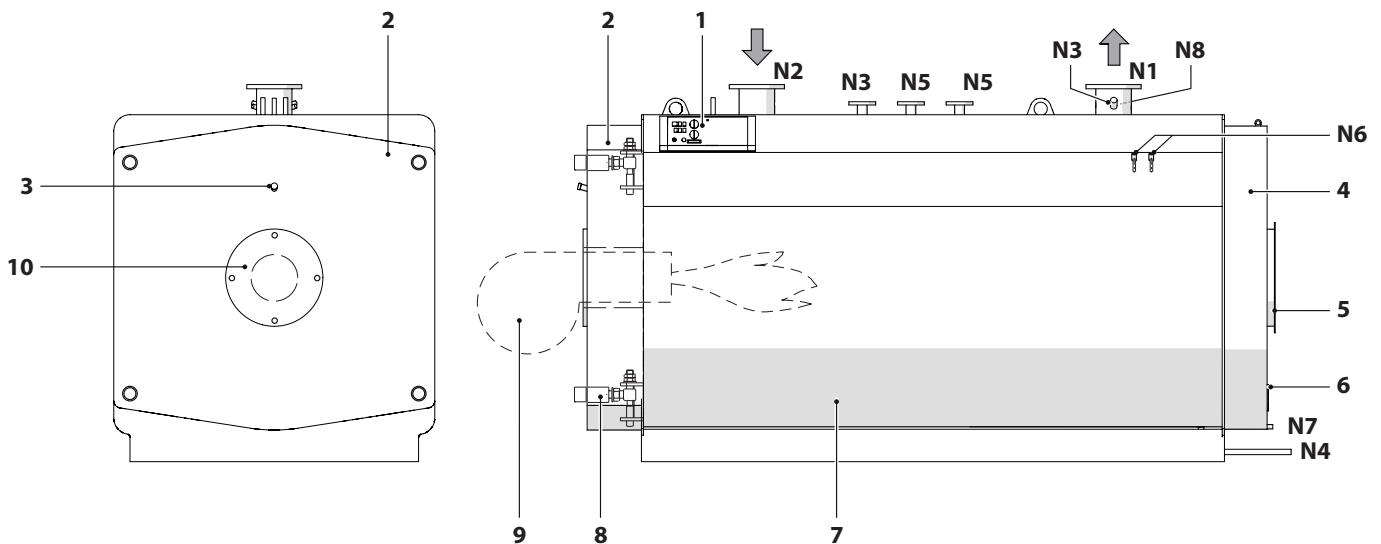
APPLIANCE DESCRIPTION

High-efficiency **ICI CALDAIE S.p.A. REX** steel boilers must be used for heating systems with water temperature within 60° and 100°C and/or in a system for domestic hot water production, within the limits of their performance and power. The chosen control panel should be equipped with a safety thermostat with manual reset from 110°C. They have been provided with cylindrical furnace with reverse flame closed at the back by a fully wet convex bottom, supported by a stub and that can be coupled with forced draft burners.

Some of the main characteristics of the equipment are listed below:

- boiler body made in quality steel, made up by the front tube plate flanged towards the furnace with RSB process and by the convex, instead of flat, rear plate, for better resistance to the internal pressure, with laser-cut holes
- cylindrical combustion chamber, with reverse flame, closed at the back with fully wet convex bottom, supported by a stub. The flame runs through the central part, while the hot gases return peripherally to the front, partially wet, part to be conveyed to the tube bundle
- EN10217-2 P235GH fire tubes, welded to the front and rear tube plates, equipped with helical turbulators
- rear smokebox made in steel metal sheet, consisting of a single piece that can be easily opened to inspect the fire tubes, fastened by means of bolts, complete with chimney fitting and cleaning door
- containment tube bundle equipped with connections necessary for the system and the operating equipment, all welded with approved processes carried out by qualified welders
- casing made with easily removable painted steel panels, that protect the insulation made with high-density fibreglass wool mats
- front door made in steel metal sheet thermally insulated with ceramic fibre, fitted on hinges, that can be easily opened by means of drilled ring nuts and with supplied lever.

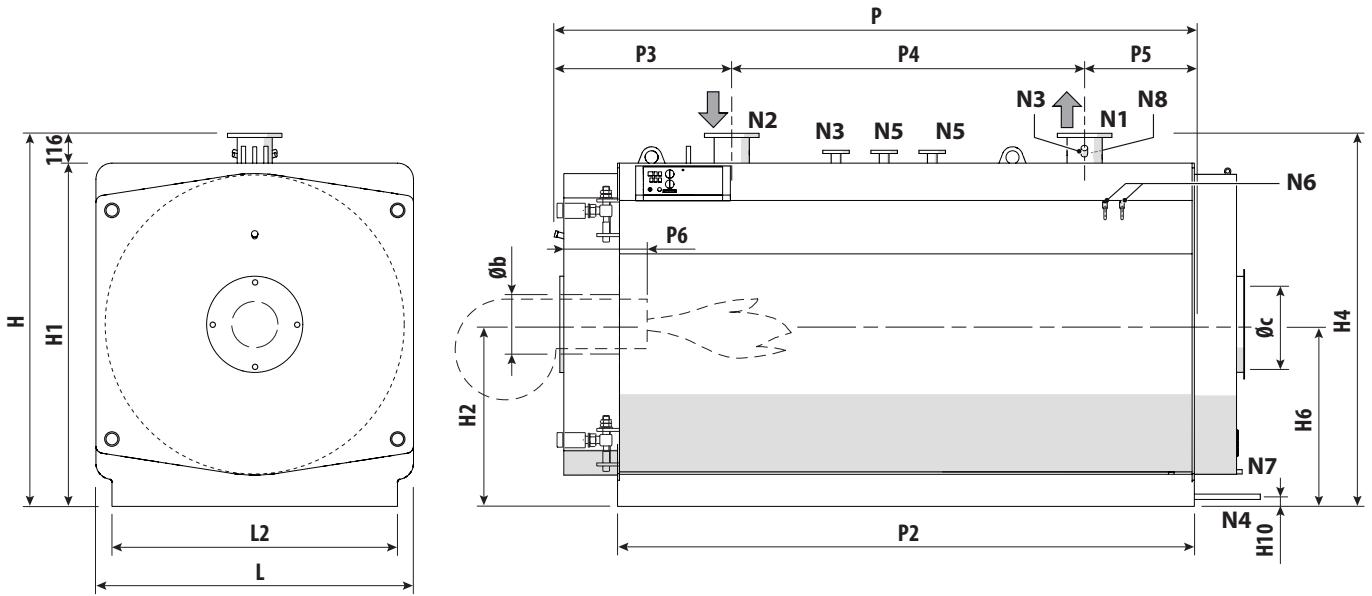
STRUCTURE



- 1 Control panel (accessory)
- 2 Front door
- 3 Flame inspection window
- 4 Rear smokebox
- 5 Flue gas drain fitting
- 6 Inspection door
- 7 Insulating casing
- 8 Door hinges
- 9 Burner (accessory)
- 10 Burner support flange

- N1 Boiler flow fitting
- N2 Boiler return fitting
- N3 Instruments fitting
- N4 System intake/drain fitting
- N5 Safety valve(s) fitting
- N6 Bulb-holder pockets
- N7 Condensate drain fitting
- N8 Control pocket

DIMENSIONS AND CONNECTIONS



Dimensions

Description	u.m.	REX						
		140	160	180	200	240	300	350
H	mm	1746	1746	1746	1876	1876	2146	2146
H1	mm	1630	1630	1630	1760	1760	2030	2030
H2	mm	880	880	880	945	945	1080	1080
H6	mm	880	880	880	945	945	1080	1080
H10	mm	150	150	150	150	150	150	150
L	mm	1470	1470	1470	1600	1600	1870	1870
L2	mm	1270	1270	1270	1400	1400	1670	1670
P	mm	2886	2886	3096	3220	3480	3480	3935
P2	mm	2300	2300	2510	2510	2770	2770	3225
P3	mm	831	831	771	903	903	903	903
P4	mm	1300	1300	1850	1550	1950	2050	2050
P5	mm	755	755	475	767	627	527	982
P6	mm	350-400	350-400	450-500	450-500	450-500	450-500	450-500
Øb	mm	320	320	320	360	360	400	400
Øc	mm	400	400	400	500	500	550	550

Attachments

Description	u.m.	REX						
		140	160	180	200	240	300	350
N1	DN/in	150	150	150	200	200	200	200
N2	DN/in	150	150	150	200	200	200	200
N1/N2	PN	16	16	16	16	16	16	16
N3	DN/in	1"	1"	1"	1"	1"	1"	1"
N4	DN/in	1"1/4	1"1/4	1"1/4	1"1/4	1"1/4	1"1/4	1"1/4
N5	DN/in	1"1/2	1"1/2	1"1/2	2"	2"	2"	2"
N6	DN/in	1/2"	1/2"	1/2"	1/2"	1/2"	1/2"	1/2"
N7	DN/in	1/2"	1/2"	1/2"	1/2"	1/2"	1/2"	1/2"
N8	DN/in	1/2"	1/2"	1/2"	1/2"	1/2"	1/2"	1/2"

TECHNICAL DATA

DESCRIPTION	u.m.	REX						
		140	160	180	200	240	300	350
Effective rated ^[1]	kW	1400	1600	1800	2000	2400	3000	3500
Thermal capacity	kW	1517	1733	1950	2167	2600	3250	3792
Efficiency at 100% (ref. P.C.I.) ^[1]	%	92,29	92,33	92,31	92,29	92,31	92,31	92,3
Max gas flow rate - G20	Stm ³ /h	160,53	183,39	206,35	229,31	275,13	343,92	401,27
Max gas flow rate - G30	kg/h	119,14	136,11	153,15	170,19	204,2	255,25	297,82
Max gas flow rate - G31	kg/h	117,85	134,63	151,49	168,35	201,99	252,48	294,59
Max flue gas flow rate	kg/h	2391,9	2732,51	3074,62	3416,72	4099,44	5124,41	5978,92
Efficiency at 30% (ref. N.C.V.) ^[1]	%	91,7	91,8	91,8	91,7	91,8	91,8	91,7
Pressure drops on exhaust side	mbar	6	6,5	7	6	7,5	8	9
Heat losses through the chimney	%	6,91	6,87	6,89	6,91	6,89	6,89	6,9
Heat losses through the casing	%	0,8	0,8	0,8	0,8	0,8	0,8	0,8
Heat losses with burner off	%	0,1	0,1	0,1	0,1	0,1	0,1	0,1
Flue gas temperature (Nom. output, air = 20°C) - GAS	°C	184	183	184	184	184	184	184
Flue gas temperature (Nom. output, air = 20°C) - OIL	°C	187	186	186	187	186	186	187
Flue gas temperature (Nom. output, air = 20°C) - FUEL OIL	°C	187	186	186	187	186	186	186
CO ₂ - GAS	%	10,5	10,5	10,5	10,5	10,5	10,5	10,5
CO ₂ - OIL	%	13,5	13,5	13,5	13,5	13,5	13,5	13,5
CO ₂ - FUEL OIL	%	14	14	14	14	14	14	14
Fluid pressure drop (ΔT=12K)	mbar	38	50	63	25	35	55	75
Rated pressure	bar	5	5	5	5	5	5	5
Total capacity	l	1500	1500	1650	2000	2300	3150	3650
Total weight	Kg	2600	2600	2750	3650	3900	5200	5700
Rated frequency ~ voltage	Volt ~ Hz	230 ~ 50	231 ~ 50	232 ~ 50	233 ~ 50	234 ~ 50	235 ~ 50	236 ~ 50
Electric protection rating	IP	IP40	IP40	IP40	IP40	IP40	IP40	IP40
Absorbed power ^[3]	W	20	20	20	20	20	20	20
Allowed fuels		Methane - LPG - Diesel - Naphtha						

^[1] Average temperature 70°C.

^[2] Efficiency Directive 92/42/EEC.

^[3] With electronic control unit (circulator and burner excluded).

CONTROL PANEL

The control panels which can be installed on **REX** boilers are mentioned in the table.

They must be ordered separately from the boiler and for to their technical and installation characteristics refer to the manual provided with the panel.

To choose the most appropriate control panel for the system refer also to the **CATALOGUE**, and to use it refer to the manual supplied with the control panel.

Description	Code
Thermostatic control panel	QACC10ELMCE
eterm boiler control panel	QETERM01CE
eterm system control board	QETERM02

BURNERS

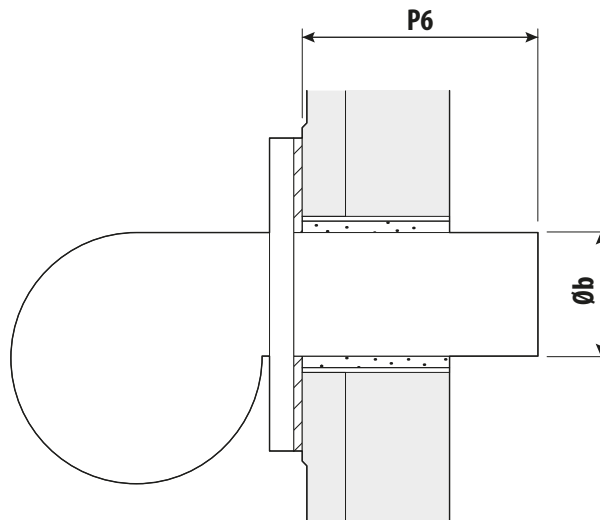
The burners that can be installed on the **REX** boilers must be CE marked according to European Directives:

- European Regulation on Gas Equipment GAR 2016/426/EU
- Electromagnetic Compatibility Directive 2014/30/EU
- Low Voltage Directive 2014/35/EU
- Machinery Directive 2006/42/EC (for liquid fuel burners)

They must also be able to operate on boilers with flame inversion combustion chamber.

Since the optimal operation of the boiler depends on the correct selection of the burner and its adjustment, find below some points to take into account:

- The firing range of the burner must include the boiler operating point (flow-back pressure in combustion chamber considering the pressure at the base of the chimney as ZERO)
- the length of the combustion head must be adequate to the penetration into the combustion chamber provided by ICI and shown in the table
- the length and shape of the flame must be suitable to the flame inversion combustion chambers. The burner manufacturers have this information as they are required by certification.



Description	U/M	REX						
		140	160	180	200	240	300	350
Øb	mm	320	320	320	360	360	400	400
P6	mm	350-400	350-400	450-500	450-500	450-500	450-500	450-500

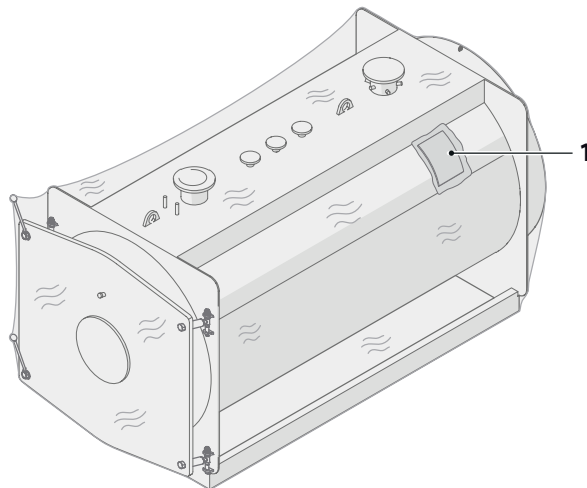
2 Installation

PRODUCT RECEIPT

The boilers are provided already covered with embossed aluminium with protective heat-shrink film.

- The document envelope (1) contains:
 - adhesive nameplate
 - instruction manual
 - construction certificate and warranty

Inside the combustion chamber there is the turbulator unit to be inserted in the fire tubes during boiler installation.



IMPORTANT

The instruction manual is an integral part of the appliance and it **MUST** be carefully read before installing and commissioning the boiler, carefully stored for further consultations and it **MUST** always accompany the boiler.



IMPORTANT

The control panel must be ordered separately from the boiler and is supplied in a separate package.

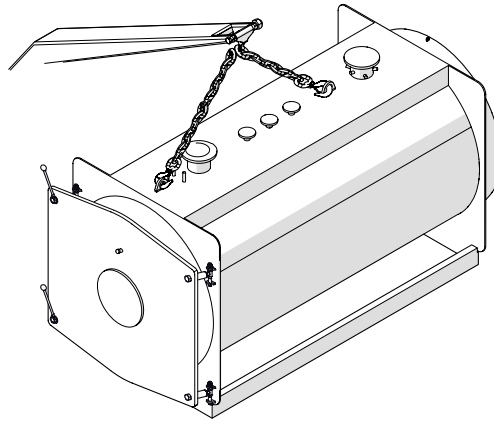


IMPORTANT

PACKAGING: as for the package, **ICI CALDAIE S.p.A.** complies with the specific recycling systems of each country, ensuring an optimal reuse of them. All the materials used for the packaging respect the environment and can be recycled, such as wood, plastic, cardboard.

HANDLING

REX boilers are equipped with fittings for lifting operations and, in any case, they must be carefully moved with equipment suitable for their dimensions and weights.



ATTENTION

The Personal Protective Equipment required by current legislation must be used.

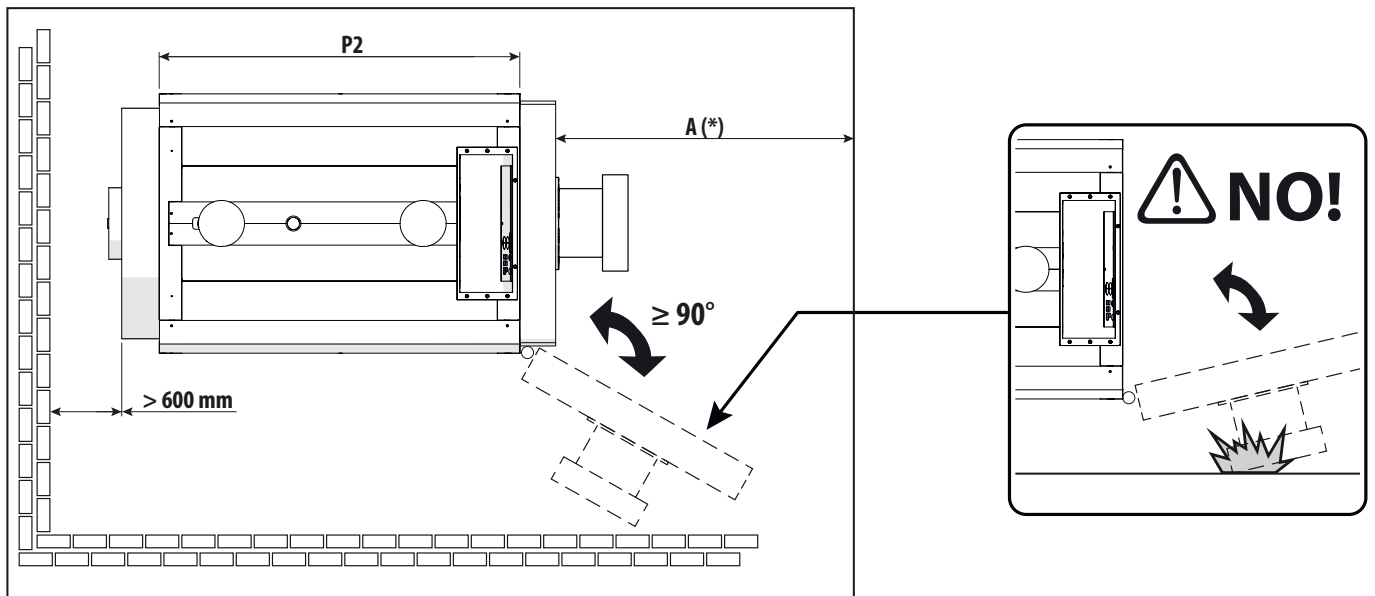
INSTALLATION ROOM

The **REX** boiler installation room must be for exclusive use, meet the Technical Standards and Legislation in force and equipped with adequately sized ventilation openings.

The spaces around the boiler and towards the ceiling must be suitable for:

- installing the appliance
- reaching the safety devices
- maintenance
- repairing any breakage
- opening the door of the installed burner, considering its opening direction (towards the right or the left)

It is recommended to position the boiler, if possible, lifted from the floor to minimise dust extraction by the burner fan.



(*) $A \geq P2$ (see "Size and fittings")



IMPORTANT

- The front space (A) must be greater than the boiler length to be able to extract the turbulators or replace a fire tube in case of breakage.
- In the case of several boilers installed in the same room, check the accessibility to the most remote boiler to be able to perform ordinary and extraordinary maintenance.



ATTENTION

- Consider the spaces necessary to access the adjustment and safety devices and to perform maintenance.
- If the burner is fed with gas of specific weight greater than that of the air, the electrical parts must be positioned at least 500 mm from the ground.

SYSTEM CLEANING

Before connecting the boiler to the system, it is RECOMMENDED to wash the pipes thoroughly in order to remove any residues which may compromise the correct operation of the boiler.

HYDRAULIC CONNECTIONS

STARTING HYDRAULIC CIRCUIT

The hydraulic circuit must be built by an authorised company or by qualified personnel, in compliance with the Technical Standards and the Law in force.

The components shall be charged to the installer that, at the end of the works, must issue a declaration of conformity.



IMPORTANT

ICI CALDAIE S.p.A. is not liable for any harm to people, animals or property damage caused by errors in the choice of components or in the construction of the plant.



IMPORTANT

- Make sure that the hydraulic pressure measured downstream of the pressure regulator on the supply line does not exceed the operating pressure indicated on the boiler nameplate.
- Make sure that the drains of the safety valves of the boiler and the heater, if any, are connected to a drain funnel, so that the valves do not flood the room in case of intervention.
- Make sure that the water and heating system pipes are not used as earthing point of the electrical system.
- Once the heating system has been filled, it is recommended to close the supply tap and keep it closed so that any system losses can be signalled by an hydraulic pressure drop detected on the system manometer.
- For reasons of technical expertise, the system components must be chosen and installed by the installer, that must operate in accordance with good practice regulations and Laws in force.

WATER CIRCULATION

The temperature difference between flow and return must not exceed 30°C in order to avoid thermal shocks to the boiler. The return temperature from the system must be higher than 50°C (with exclusive methane gas or LPG operation) in order to protect the boiler from corrosion due to acid flue gas condensate.

The warranty does not cover any damage caused by the condensate.

It is useful to mitigate the return temperature by installing a mixing valve and/or a recirculation pump.

FLUE GAS DISCHARGE AND COMBUSTION AIR SUCTION

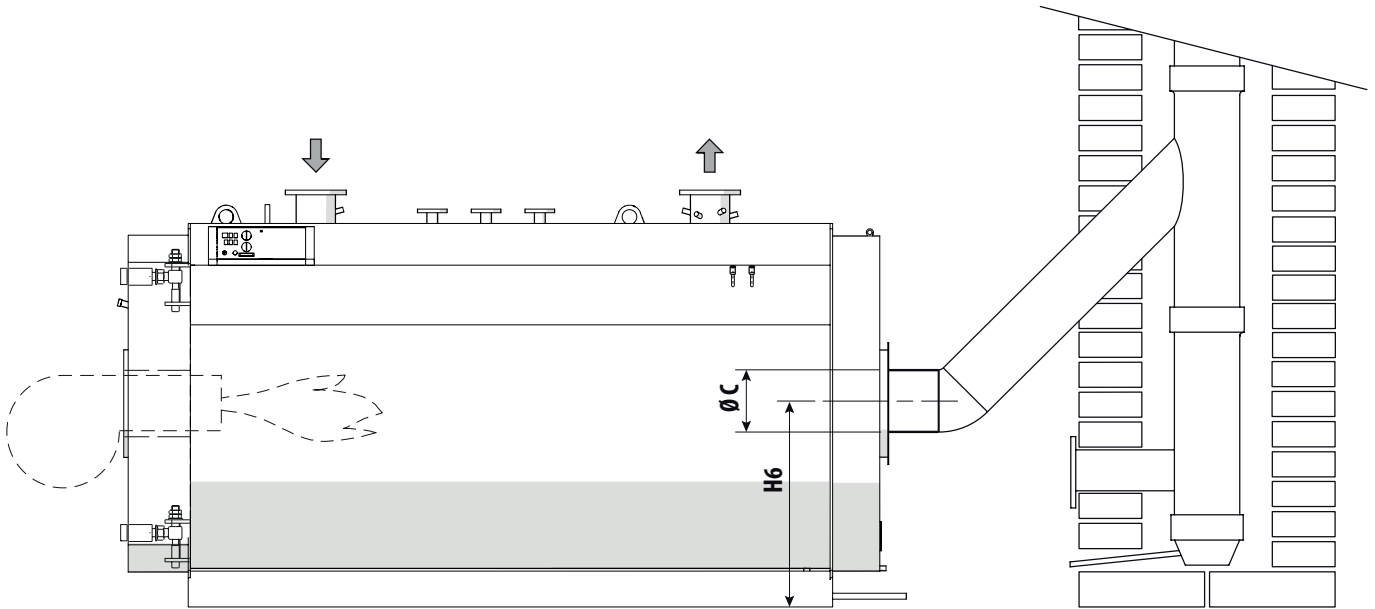
The smoke duct and the connection to the chimney must be built in compliance with the Standards and the Laws in force, with rigid pipes, resistant to the temperature, condensate, mechanical stresses and sealed.



IMPORTANT

The smoke duct must have a diameter equal to or larger than the boiler fitting.

Indicative diagram



Description	u.m.	REX						
		140	160	180	200	240	300	350
H6	mm	880	880	880	945	945	1080	1080
Ø C	mm	400	400	400	500	500	550	550



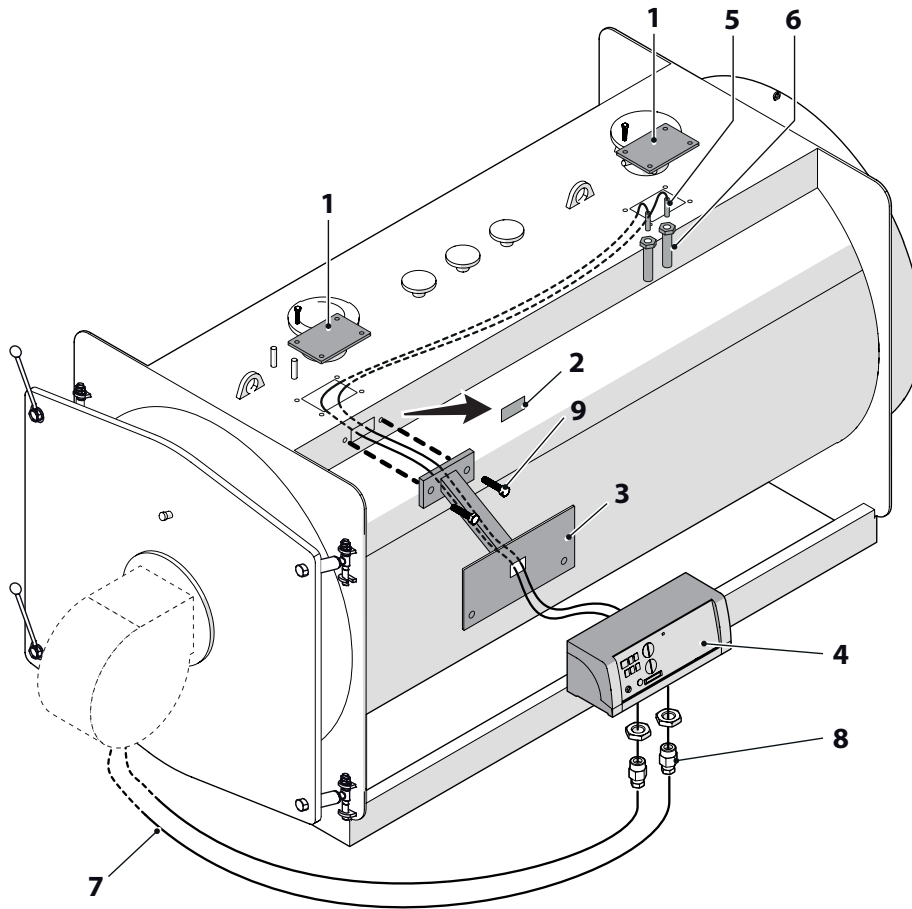
DANGER

- the chimney must ensure the draught necessary for the boiler operation and provided for by the Technical Standards in force, considering a "zero" pressure at the connection with the smoke duct
- unsuitable or badly dimensioned chimneys and smoke ducts can cause condensation problems and adversely affect the combustion parameters
- non-insulated drain pipes can lead to a potential risk and the tightness of the joints must be ensured with materials resistant to the temperatures of the drain flue gases (we recommend at least 250°C)
- check that the chimney has a suitable draught, does not feature chokes and is clear from debris; check that no drains of other equipment are connected to the chimney (unless this has been made to serve several utilities).

CONTROL PANEL INSTALLATION

NOTE

The image of the control panel is only indicative as it may vary depending on the installed model.



- Choose the installation side of the control panel (RH or LH), remove the covers (1) and break the pre-cut opening (2)
- take the arm kit complete with support (3) from the inside of the furnace.
- open the control panel (4) and cut the window prearranged on the rear side
- route the bulbs (5) of the thermostat and thermometer through the window, then insert them in the square pipe of the support and, through the upper openings, route them in the protection pipe until reaching the pockets (6). Then lock with specific clamps to prevent them from being pulled out
- connect the burner cables (7) to the control panel using a protection sheath and lock them with cable rings (8)
- fasten the control panel to the support (3) with the kit supplied
- fasten with two screws (9) the arm-control panel unit to the boiler upper part
- refit the covers (1).

The bracket supplied, equipped with shaped plate with double drilling, allows installing the panels at two inclinations, choosing the preferred position (see figures).



FRONT DOOR OPENING

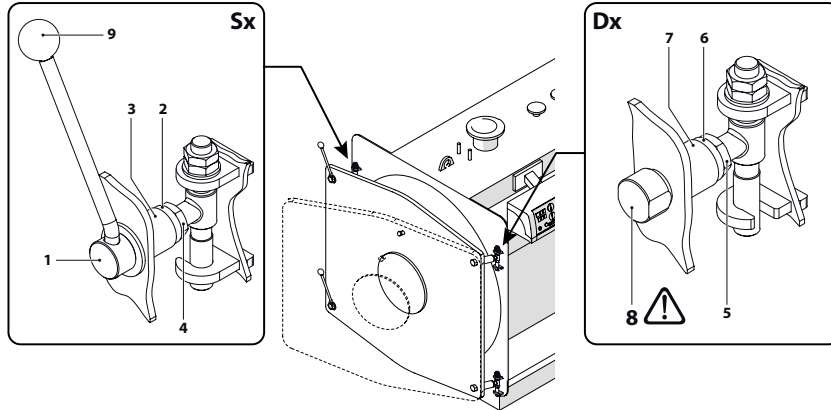
The door is adjusted in the factory with standard opening to the left (Sx) and hinges on the right (Dx).



DANGER

It is DANGEROUS TO UNSCREW the ferrules (8) on the side of the hinges. This may cause the door to detach, with possible serious harm to people and property damage.

DOOR OPENING INVERSION (TO THE RIGHT) FOR MODELS FROM 140 TO 180



NOTE

The ferrules (8) can be "adjusted with wrench" or "perforated for lever adjustment".

DOOR WITH FERRULES PERFORATED ON BOTH SIDES

Proceed as follows to reverse the opening direction of the door:

- screw the left perforated ferrules (1) so that the door seal gasket is pressed in the same way as the right part. Bring the conical washers (2) of the left tie-rods close to the mechanical tubes (3) of the door and tighten the nuts (4) using a suitable wrench
- on the right opening side, loosen the nuts (5) and free the conical washers (6) from the mechanical tubes (7) of the door.

DOOR WITH WRENCH FERRULES, HINGE SIDE



DANGER

In models equipped with wrench-adjustable ferrules (8), these must always be mounted on the hinges to prevent the door from being accidentally opened through the lever (9).

Proceed as follows to reverse the opening direction of the door:

- screw the left perforated ferrules (1) so that the door seal gasket is pressed in the same way as the right part. Bring the conical washers (2) of the left tie-rods close to the mechanical tubes (3) of the door and tighten the nuts (4) using a suitable wrench
- cross-change the wrench ferrule of a hinge (8) with the opposite perforated ferrule (1), after loosening the locking nuts on the tie rods and freeing the conical washers
- on the left hinge side, fasten the conical washer (2) onto the door using the nut (4s)
- repeat the last two steps for the other two ferrules also.



DANGER

When cross-changing ferrules, always make sure that the other two ferrules are fastened, so that they hold the door.

Check the correct adjustment of the tie-rods and hinges ensuring that, during closure, the seal gasket is evenly pressed in the centre on the whole circumference. If necessary, adjust the door as described in the following paragraph.

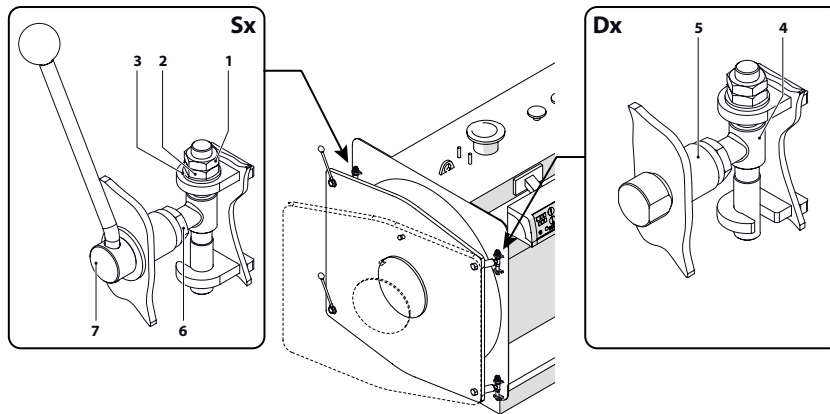
FRONT DOOR ADJUSTMENT



DANGER

Incorrect door adjustment with consequent damage to people and property voids the warranty conditions.

DOOR ADJUSTMENT (OPENING ON THE RIGHT)



VERTICAL ADJUSTMENT

To make the adjustment:

- with the door ajar, loosen the counter-nuts (1) of the hinge units
- act on the adjustment nuts (2) to lift or lower the door by centring the gasket on the stop plate, then block the counter-nuts (1)
- close the door and centre the tie-rod (4) on the mechanical tube (5), proceeding as in the previous point.

HORIZONTAL ADJUSTMENT

Close the door using the lever and check that there is equal distance on both sides, between the stop plate and the band. If this is not the case:

- with the door ajar, loosen the locking nuts (6) of the hinge units
- act on the ferrule (7) to adjust the distance depth-wise
- screw the nuts (6) and block the conical washers on the mechanical tubes.



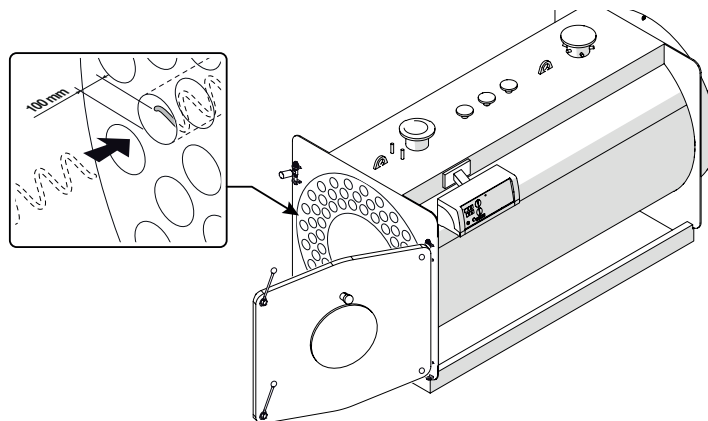
DANGER

When cross-changing ferrules, always make sure that the other two ferrules are fastened, so that they hold the door.

Check the proper adjustment in depth ensuring that the door, manually pushed up to the stop plate, naturally returns remaining ajar. This is to ensure the hinge side fume seal.

TURBULATOR ASSEMBLY

To assemble the turbulators supplied with the boiler, open the door and insert the turbulators completely into the smoke pipes, until they penetrate by at least 100 mm.



BURNER ASSEMBLY

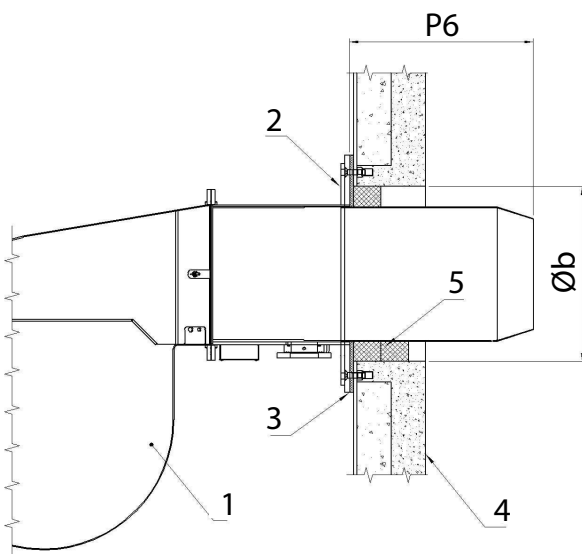
Having chosen the burner to be used, refer to the Manual supplied with it for information about:

- the installation and fastening to the boiler
- the connection to the fuel supply
- the electrical connections
- the adjustments to be made
- maintenance
- the necessary checks.



IMPORTANT

The strip of ceramic insulation supplied with the generator must be wrapped all around the mouthpiece at least once to protect the burner flange from the irradiation of the flame. It is not necessary for the ceramic insulation to fill the gap up to the internal surface of the door insulation. If the supplied material is not suitable for the used burner, use other material having characteristics suitable to withstand 1000°C and dimensions suitable to completely close the gap.



- 1 Burner
- 2 Flange
- 3 Gasket
- 4 Door
- 5 Thermoceramic material



IMPORTANT

For fuel oil/biogas operation, the door should have concrete insulation and be equipped with suitable tie-rods. Any changes and/or failure to disclose information during sales will void the warranty conditions.

ELECTRICAL CONNECTIONS

The electric system of a heating plant room used only to heat the buildings must be made by an authorised company that must comply with regulations, some of which are general while others are specific for the single types of use or combustion.



IMPORTANT

Connect the earth cable to an effective earthing system. **ICI CALDAIE S.p.A.** is not liable for any damage caused by the lack of the earthing system and the failure to comply with the instructions of the wiring diagrams.



PROHIBITION

Do not use the water and heating system pipes for the **earthing connections**.

WATER TREATMENT

The thermal system water must comply with the Laws in force, therefore it is good practise to use treatment units when the line water is particularly rich in calcium carbonate, which causes scale build-ups and corrosion. The table includes some indicative values:

Characteristics	Scale	Filling water	Circuit water
pH*		-	7-8
Hardness (CaCo2)	°Fr	< 15	-
Iron (Fe)**	mg/kg	-	< 0.5
Copper (Cu)**	mg/kg	-	< 0.1
Oxygen (O2)	mg/l	< 0.05***	-
Appearance		Clear	Possibly clear

* 8 is the maximum acceptable pH value in case of radiators in aluminium or light alloys.

** Higher values indicate on-going corrosion phenomena.

*** In case of agents which form oxygen film and/or surplus, do not observe this value with intermittent operation or operation without deaerator, but use the additive.

LIMESTONE BUILD-UPS

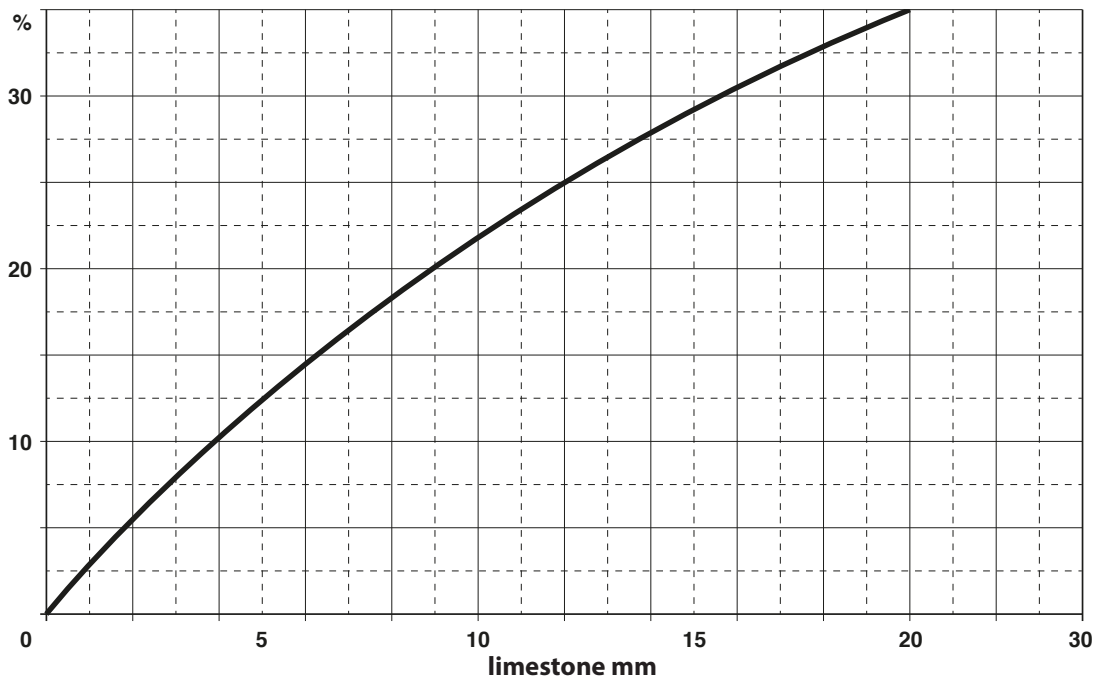
Limestone build-ups reduce the heat exchange between the combustion gases and water, leading to an abnormal increase of temperature of the parts exposed to the flame and thus to a significant reduction of the service life of the boiler.

Limestone gathers in the points where the wall temperature is higher and the best defence against it, at the construction level, is to eliminate the superheating areas.

Scale build-ups form an insulating layer which decreases the heat exchange of the boiler, penalising its efficiency. This means that a significant part of the heat obtained from the combustion is not fully transferred to the system water, but is lost through the chimney.

LIMESTONE DIAGRAM

Lost heat



CORROSION ON WATER SIDE

The corrosion of the metal surfaces of the boiler on the water side is due to the iron transit into the solution through its ions (Fe+). In this process, the presence of dissolved gases, in particular oxygen and carbon dioxide, is very important. Corrosion phenomena often occur with softened and/or demineralised water, which by nature is more aggressive against iron (acid water with Ph < 7); in these cases, even when scale build-ups are prevented, corrosions can occur and it is necessary to treat the water with corrosive process inhibitors.

SYSTEM FILLING AND EMPTYING

FILLING

- Before filling the system, disconnect the power supply by positioning the system main switch to "OFF" and check that the drain valve of the boiler is closed
- open the filling valve of the boiler and the shut-off valve of the water system and allow the water to enter slowly, in quantities proportional to the venting capacity of the automatic or manual air separators, and until the expansion vessel pre-filling static pressure value can be read on the manometer
- close the previously opened boiler filling valve and the water system filling valve
- heat the water for the first time until reaching the system maximum permitted temperature. During this operation, the air contained in the water is vented through the system's automatic or manual air separators
- once the air has been expelled, bring the pressure back to the preset value and close the manual and/or automatic supply tap.
- After the initial filling, it is necessary to prevent oxygen and untreated water from entering the system.
- The entry of oxygen causes corrosion, while untreated water causes the formation of limestone.
- Both conditions must be avoided.

NOTE

The system venting will be completed, if necessary, upon the first commissioning of the boiler.

EMPTYING

- Before starting to empty the system, disconnect the power supply by positioning the system main switch to "OFF"
- check that the hydraulic system shut-off valve is closed
- connect a rubber hose to the drain valve of the boiler and convey it towards a drain pocket
- close the shut-off devices of the thermal system parts which must not be emptied
- slowly open the boiler drain valve. To facilitate the draining, open the air separators on the system
- once the operation is complete, close the previously opened air separators and the drain valve.

3 Use

PRELIMINARY CHECKS

Before commissioning the boiler and carrying out the functional tests, check that:

- the turbulators are installed
- the system has been filled and the hydraulic circuit pressure, in a cold state, is correct
- the flue gases are correctly discharged and there are correctly dimensioned vents
- electrical connections and earth connection are correctly carried out
- the rotors of the circulation pumps are not blocked
- the fuel supply line has been correctly built and that the fuel is available
- hydraulic and fuel circuit taps are open.

COMMISSIONING

To start the boiler after performing the preliminary checks it is necessary to:

- set the regulation thermostat on the control panel to the desired temperature
- check that the release button of the safety thermostat inside the control panel is reset
- correctly adjust the control panel devices according to the installed model
- set the main switch of the control panel to "**ON**"
- the rotors of the circulation pumps are not blocked
- the fuel supply line has been correctly built and that the fuel is available
- hydraulic and fuel circuit taps are open
- check for voltage presence at the control panel and burner.

The boiler will perform the ignition phase and will operate until the set temperatures will be reached.



IMPORTANT

In case of **LOCK-OUT STOP** of the burner, refer to its technical manual.

CHECKS AFTER COMMISSIONING

Once the start-up has been performed, check that the appliance stops and then restarts:

- by modifying the boiler thermostat calibration
- by operating on the control panel main switch
- by operating on the ambient thermostat or chrono-thermostat
- check the tightness of the door gasket and repeat the adjustment in case of leakages
- check the correct operation of pumps
- check the boiler stop by positioning the system main switch to "**OFF**"
- check the safety thermostat triggering.

If all the conditions are met, start the boiler, bring it to its full operation and collect the combustion data.

NOTE

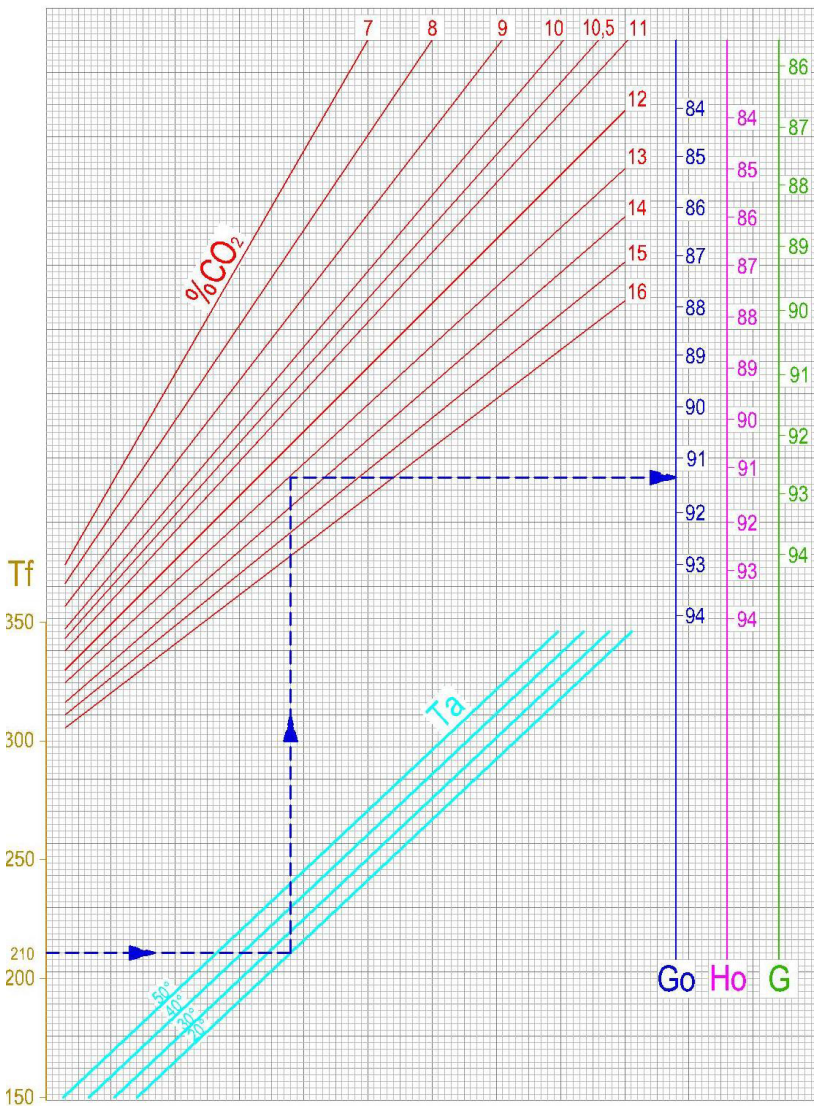
The flame inspection window is equipped with a hose connector which can be used both as a pressure test connection and for cooling the flame inspection window.

Combustion guide values:

FUEL	%CO ₂	Flue gas temperature	% CO
Gas	10	190°C	0 – 20 ppm
Diesel fuel	13	195°C	10 – 80 ppm
Nafta	13,5	200°C	50 – 150 ppm

A diagram determines the boiler efficiency according to the flue gas and air temperature and the carbon dioxide percentage (%CO₂), but without considering the losses through the boiler casing.

Efficiency diagram (significant losses only) (%)



Example
 Flue gas temperature: 210 °C
 Ambient temperature: 20 °C
 %CO₂ 13%
 Fuel: Diesel fuel
Efficiency: 91.4%

The pressurisation must fall within the values indicated in the table of the technical data.

STOP PERIODS

SHORT PERIODS OF TIME

In case of system switch-off for a short period of time:

- position the central panel switches and the control panel switch to “OFF”



IMPORTANT

If the external temperature is below ZERO:

- the boiler must be electrically powered
- the fuel supply must be opened
- the boiler thermostat must be adjusted to the minimum value
- the ambient thermostat or chronothermostat must be activated and adjusted to about 10°C or switched to the **anti-freeze** mode.

LONG PERIODS OF TIME

If the boiler is not used for a long time, it is recommended to:

- position the central panel switches and the control panel switch to “OFF”
- close the fuel and water interception valves of the hydraulic system.



IMPORTANT

If the external temperature is below ZERO:

- empty the heating system if there is the risk of frost
- use anti-freeze liquid (propylene glycol) until a maximum percentage of 3%.

DECOMMISSIONING OF OLD APPLIANCES

Decommissioned appliances contain materials which can be recycled and their constructive elements can be easily separated. In this way, the different components can be sorted out for recycling or disposal.

It is required to carefully dispose of dangerous waste in compliance with the laws in force in the country of destination of the appliance.

4 Maintenance

Periodic maintenance is prescribed by Law and must be performed only by qualified personnel, at least once a year or more frequently, depending on the boiler output and on the fuel used.

The boiler maintenance and cleaning operations are essential for its safety and to keep its efficiency high, extending its service life.



IMPORTANT

Before performing any maintenance or cleaning:

- disconnect the power supply by positioning the system main switch and that of the burner, if any, to "OFF"
- close the fuel supply
- use all Personal Protective Equipment required by current Standards and Legislation
- wait for the boiler and the system to cool down.

BOILER

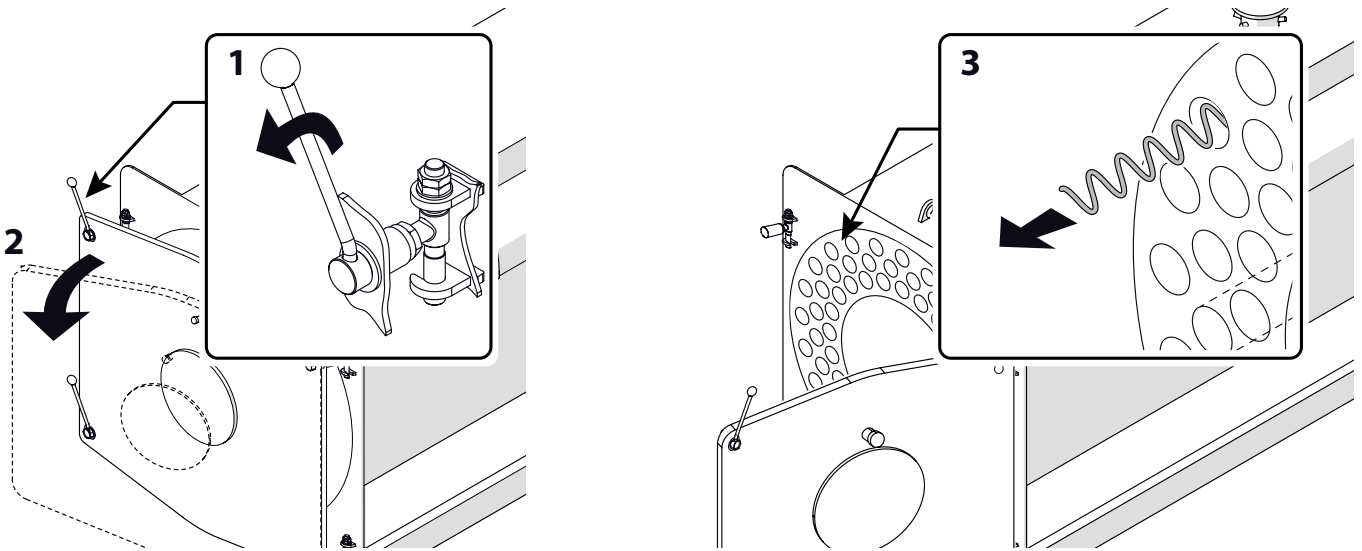
External cleaning

To perform the external cleaning of the boiler (cover) use cloths moistened with water mixed with denatured alcohol or specific non-abrasive detergents. Dry the surfaces thoroughly after cleaning.

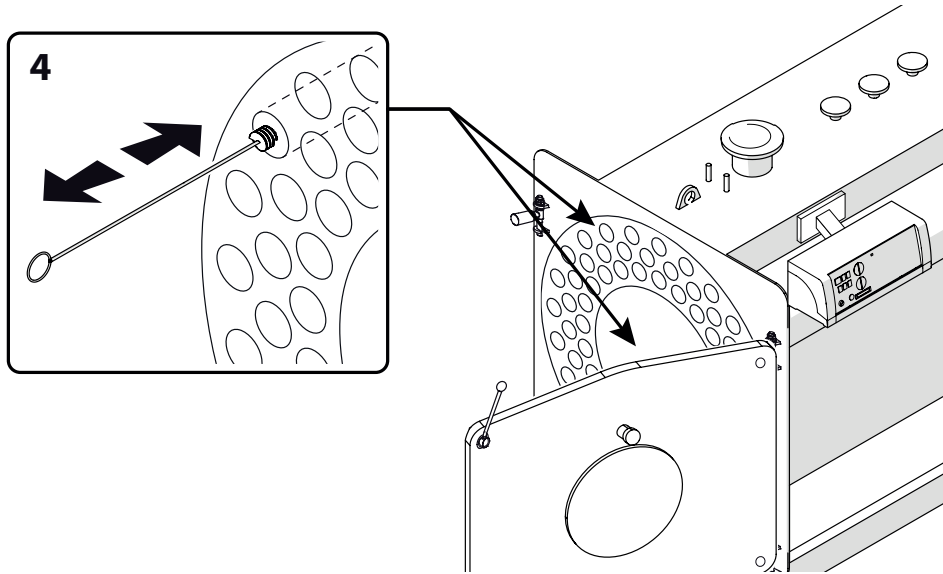
Internal cleaning

To perform the internal cleaning:

- disconnect from the burner anything which may hinder the door opening
- loosen the ring nuts with handle (1), open the door (2) and extract the turbulators (3)



- remove the inspection door of the smokebox
- clean the surfaces of tube bundle and combustion chamber with a brush (4) and/or other suitable tools
- suck, through the smokebox cleaning door, any deposit build-up.



If necessary, remove the smokebox and replace the gasket before refitting it.

Once the cleaning operation is completed, reassemble all the components, replacing those worn out and operating by following the previous procedure in the reverse order.

BURNER

For burner maintenance and cleaning follow the instructions on the burner manual or any other indication provided by the burner manufacturer.

ANY ANOMALIES AND REMEDIES

ANOMALY	CAUSE	REMEDY
The boiler gets dirty easily	Badly adjusted burner	Check the burner adjustment (flue gas analysis)
	Clogged chimney	Clean the flue gas path and the chimney
	Dirt burner air path	Clean burner air coil
The boiler does not reach the correct temperature	Dirt boiler body	Clean the flue gas path
	Wrong boiler/burner match	Compare burner data with tabulated matches
	Insufficient power to the burner	Check the burner adjustment
	Wrong adjustment	Check the correct operation
The boiler switches to thermal safety lock-out	Wrong adjustment	Check the set temperature
		Check the correct operation
		Check the electrical wiring
		Check the probe bulbs
	Lack of water	Check the circuit pressure
	Air presence	Check the vent valve
The boiler is at the correct temperature but the heating system is cold	Presence of air in the system	Vent the system
	Faulty circulation pump	Unlock the circulation pump
	Minimum Thermostat wrong adjustment (if any)	Check the set temperature
	Faulty minimum Thermostat (if any)	Check the efficiency
Unburned material odour	Flue gases dispersion into the environment	Check the boiler body cleanliness
		Check the flue gas pipe cleanliness
		Check the tightness of boiler, flue gas pipe and chimney
		Check the door tightness
Gas smell	Gas supply circuit	Check sealing, possible obstructions, combustion quality
Frequent safety valve triggering	Excessive pressure in the system circuit	Check load pressure
		Check pressure regulator
	Malfunction of the system expansion vessel	Check calibration
		Check the efficiency

ENVIRONMENTAL PROTECTION AND DISPOSAL

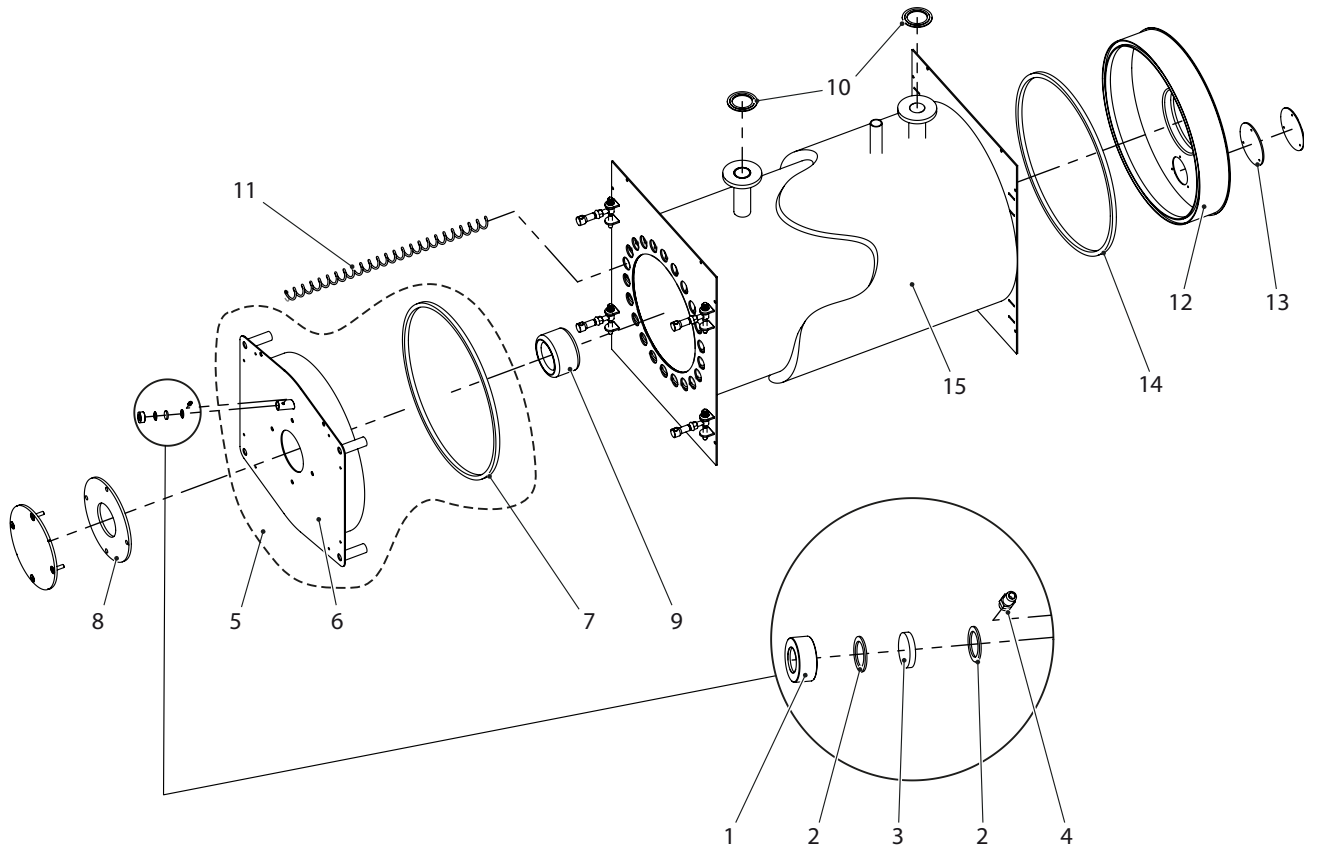
Protection and respect for the environment is a fundamental principle for **ICI CALDAIE S.p.A.**

The quality of products, lower costs and protection of the environment are of equal importance for the company. **ICI CALDAIE S.p.A.**, also through ISO 14001 certification, strictly adheres to European laws and standards for the protection and preservation of the environment.

In order to reduce its impact on the environment, the company uses the best technology and materials in its production processes and always considers their economic impact.

System for 24 or 72 h operation without continuous supervision.

EXPLODED VIEWS OF DRAWINGS



- 1 Ring nut for flame inspection window
- 2 Flame inspection window gasket
- 3 Flame inspection window glass
- 4 Pressure test point on flame inspection window
- 5 Complete door
- 6 Door
- 7 Door fibreglass braid
- 8 Isolcart insulating panels between burner and door
- 9 Burner nosepiece mat kit
- 10 Flow and return gaskets
- 11 Turbulators
- 12 Smokebox
- 13 Isolcart insulating panels for smokebox cleaning door
- 14 Smokebox fibreglass braid
- 15 Tube bundle insulation (fibreglass wool)

5 Useful information and declarations

QR CODE

How to register your appliance



The appliance must be registered once the product has been installed, either before or after start-up.

Follow these steps:

- Obtain a smartphone (iPhone, Samsung Galaxy, Htc, Blackberry etc.) or a tablet
- after downloading and installing a "QR Reader" application (any free application is usually more than enough), open it and point the camera on the QR code located on the plate of your appliance (circled in the image)
- you will be sent back to a web page on which to register the data of your appliance and system by completing the indicated spaces.

VP05											
ICI CALDAIE S.p.A. Via G.Pascoli, 38 - 37059 ZEVIO (VR) - ITALIA -											
Tipo - Type - Typ - Modelos											
Codice - Code - Code - Codice				Data - Date		N° Fabbrica					
GENERATORE DI VAPORE - STEAM BOILER GENERATEUR DE VAPEUR - GENERADOR DE VAPOR											
PORTATA TERMICA - HEAT INPUT DEBIT THERM. - POTENC. TERM.						POTENZA UTILE - HEAT OUTPUT DEBIT THERM. UTILE - POTENCIA UTIL					
MIN		kW		Kcal/h		MIN		kW		Kcal/h	
MED/MIN		kW		Kcal/h		MED/MIN		kW		Kcal/h	
MAX		kW		Kcal/h		MAX		kW		Kcal/h	
TS min.= °C						Riferimento disegno:					
PS BAR						corpo:					
TS max esercizio °C						insieme:					
COMBUST. LIQUIDO - LIQUID FUEL						GAS CATEG. TIPO - TYPE - TYP			V. CATEG. BRUC. GAS BRUCIATORE		
SOLIO - LIGHT OIL HEAVY OIL											
BRUCIAT. - BURNER - BRULEUR - QUEMADOR											
ALIM.ELETT.-VOLTAGE-ALIM.ELECT.-TENSION D'ALIMENT.						V. 1/N~ 230					
CLASSE PROT.-PROTECT.CLAS- CLASE DE PROC.-PROTEC.						IP55					
DESTINAZIONE - DESTINATION - DEST.						CE					
(DATI CARATTERISTICI VEDI DICHIARAZ.CONFORMITA')											
S.N. Body 1:									1370		
S.N. Body 2:											
TARGA DATI CORPO GENERATORE: VEDI FLANGIATURA INFERIORE BARILOTTO LA TARGA DATI LIVELLOSTATO E' SITUATA ALL'INTERNO DEL QUADRO ELETTRICO.											

Once registered, authenticate your e-mail address by clicking on the link that will be sent by e-mail to the provided inbox. An additional e-mail will then be received with the credentials to access all services specifically developed by **ICI CALDAIE S.p.A.** for those who will register their boiler through the QR Code. Registration entitles you, even in future months and years, to take advantage of promotions and specific services for registered appliances (e.g.: discounts on spare parts, spare parts kits on sale, free routine maintenance for certain types of products, etc.).

For information, contact the ICI headquarter or the local representative offices.
www.icaldaie.com - info@icaldaie.com

DECLARATION OF CONFORMITY



ICI CALDAIE S.p.A.

Via G. Pascoli, 38 – Frazione Campagnola
37059 Zevio (VR)

Telephone +39 045 8738511-Fax +39 045 8731148

info@icaldaie.com – VAT number IT 00227490232

Company subject to management and coordination by FINLUC s.r.l.
(R.I. n. 02245640236)

Company certified according to ISO 9001, OHSAS 18001 & ISO 14001
icaldaie.com

DECLARATION OF CONFORMITY WITH EUROPEAN COMMUNITY STANDARDS

The undersigned Emanuela Lucchini, CEO of ICI CALDAIE S.p.A., with registered office in Via G. Pascoli, 38 - 37059 Campagnola di Zevio (VR), Italy.

Declares that the boilers:

REX/REX F
REX K/REX K F
REX DUAL/REX DUAL F

conform to the type described in the EC certification and comply with the following Council Directives:

- European Regulation on Gas Equipment GAR 2016/426/EU
- Electromagnetic Compatibility Directive 2014/30/EU
- Low Voltage Directive 2014/35/EU
- Efficiency Directive 92/42/EEC

Zevio, 07/05/2018

ICI CALDAIE S.p.A.
Direttore Generale
Emanuela Lucchini

A handwritten signature in black ink, appearing to read 'Emanuela Lucchini', is written over the printed name.



ICI CALDAIE SpA

37059 Fraz. Campagnola di Zevio (Verona) Italy

Via G. Pascoli 38 Phone: +39 0458738511 Fax: +39 0458731148

info@icaldaie.com www.icaldaie.com