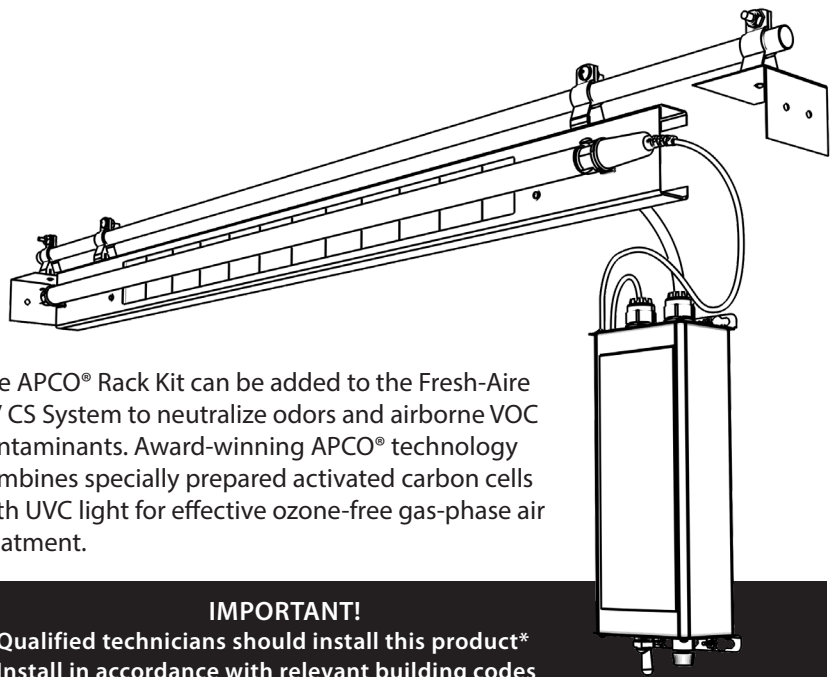


APCO® RACK KIT

INSTALLATION GUIDE (REQUIRES FRESH-AIRE UV CS SYSTEM)



The APCO® Rack Kit can be added to the Fresh-Aire UV CS System to neutralize odors and airborne VOC contaminants. Award-winning APCO® technology combines specially prepared activated carbon cells with UVC light for effective ozone-free gas-phase air treatment.



WARNING
PROTECT EYES FROM UV LIGHT
TURN OFF UNIT OR DISCONNECT
BEFORE SERVICING



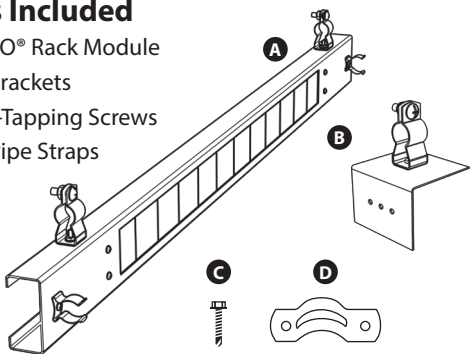
IMPORTANT!

- Qualified technicians should install this product*
- Install in accordance with relevant building codes
- Read instructions carefully including safety warnings

*Installation of this product by anyone other than licensed HVAC or electrical contractors voids warranty.

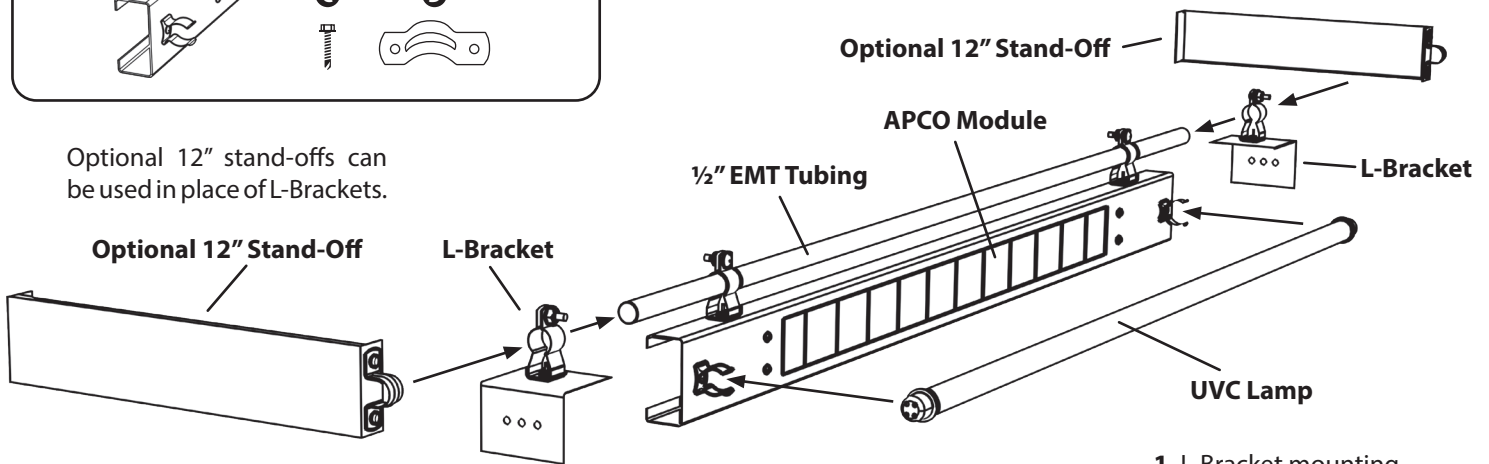
Parts Included

- A** APCO® Rack Module
- B** L - Brackets
- C** Self-Tapping Screws
- D** 1/2" Pipe Straps



Assembly & installation

The APCO® Rack Kit is mounted using 1/2" EMT tubing (not included). The high-output UVC lamp (included with the Core System) is itself mounted onto the front face of the APCO Rack Module so that it shines onto both the HVAC coil and the APCO cells. First, determine the ideal mounting location within the air system, then configure the UVGI system accordingly. The system can be mounted to the air handler wall or similar support depending on the size, orientation, and distance of the mounting surfaces and surfaces to be irradiated.



1. In most situations, when the system is mounted to surfaces perpendicular to the surface to be irradiated, L-Brackets are attached to the wall or support with Self-Tapping Screws.
2. Optional 12" Stand-off adaptors are available if there is no suitable wall surface for mounting parallel to the coil. Use self-tapping screws to attach a 1/2" Pipe Strap onto the end of the stand-off then mount using Self-Tapping Screws.
 - 2a. Alternate Mounting: Attach L-Bracket with 1/2" Pipe Straps to interior of Stand-off. This allows lamps to be positioned less than 12" from coil.

