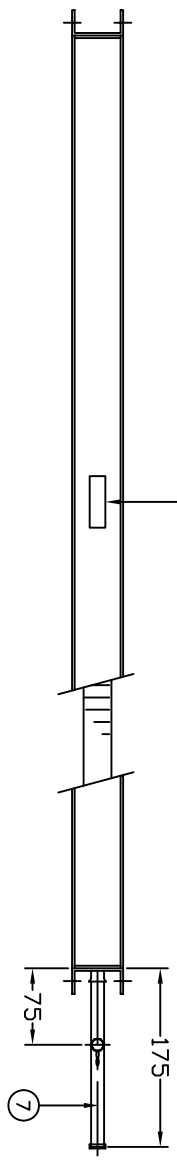
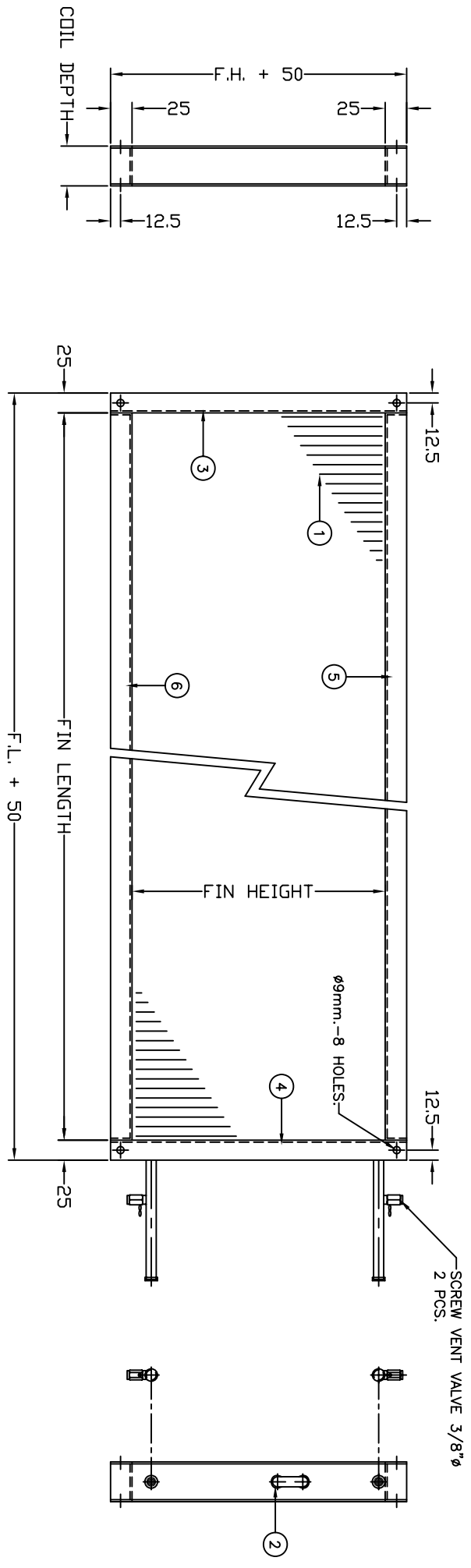


- SPECIAL NOTE:**
- EXAMPLE OF COIL LABEL TO BE ATTACHED TO ALL COILS ORDERED.
  - CLEARLY MARKED WITH JOB NUMBER AND COIL NUMBER.
  - END PLATES AND FRAMES ASSEMBLY WITH M6-NUT 4 PCS.
  - CONN. COPPER TUBE 1/2"  $\phi$  NO FLARE END.



Fin Height	Conn. Size
127 - 635	12.7

Deep	DEPTH	FIN WIDTH
1	50	27.4
2	76	54.8



<small>COPYRIGHT © This document and the copyright in the design and drawings are the property of Cooke Industries Limited. The content of this document may not be reproduced either in whole or in part by any means whatsoever without the prior written consent of Cooke Industries Limited.</small>			<small>SCALE</small> <b>NTS</b>
<small>DRAWN</small> <b>SV</b>	<small>APPROVD</small> <b>AC</b>	<small>FILE REF</small> <b>HVB-01</b>	<small>DATE</small> <b>20/12/99</b>
<small>DATE</small> <b>20/12/99</b>	<small>DATE</small> <b>20/12/99</b>	<small>DRW NO</small> <b>-</b>	<small>REV</small> <b>-</b>

**TITLE**  
**AIRPAK COILS**  
 Standard 1-Circuit Booster Coil

**COOKE INDUSTRIES**

P.O. Box 12021, Penrose, Auckland 1135  
 311 Station Rd, Penrose, Auckland, NZ  
 09 276 2200  
 Email: sales@cookeindustries.co.nz

**PROJECT** - **REV** -