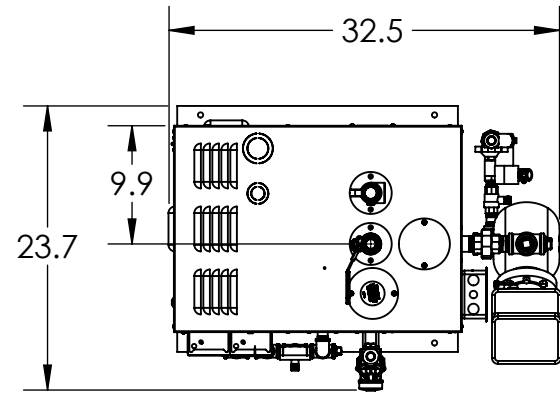
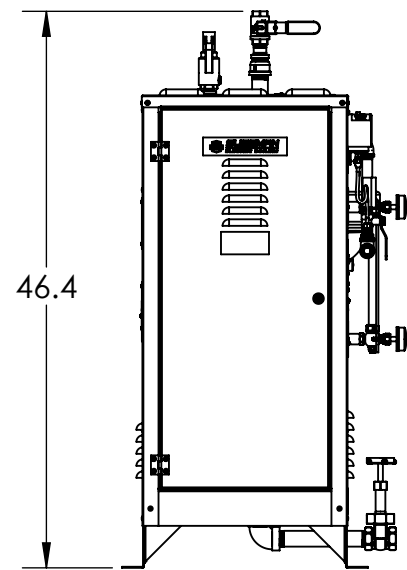


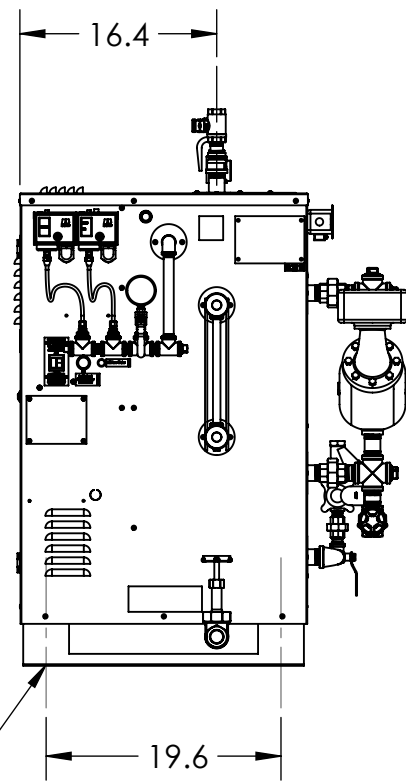
Rev.	Date	ECN	Desc.	Auth.
1	8/11/20	xxxx	Initial Drawing	EZ



Top

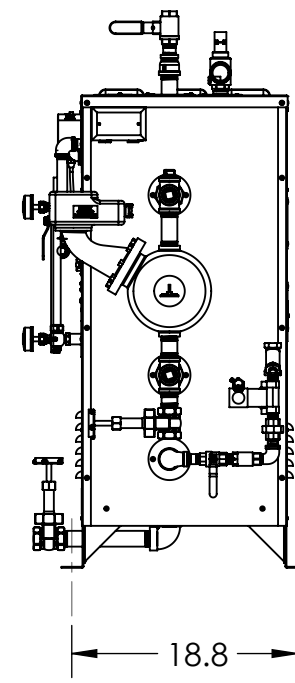


Left

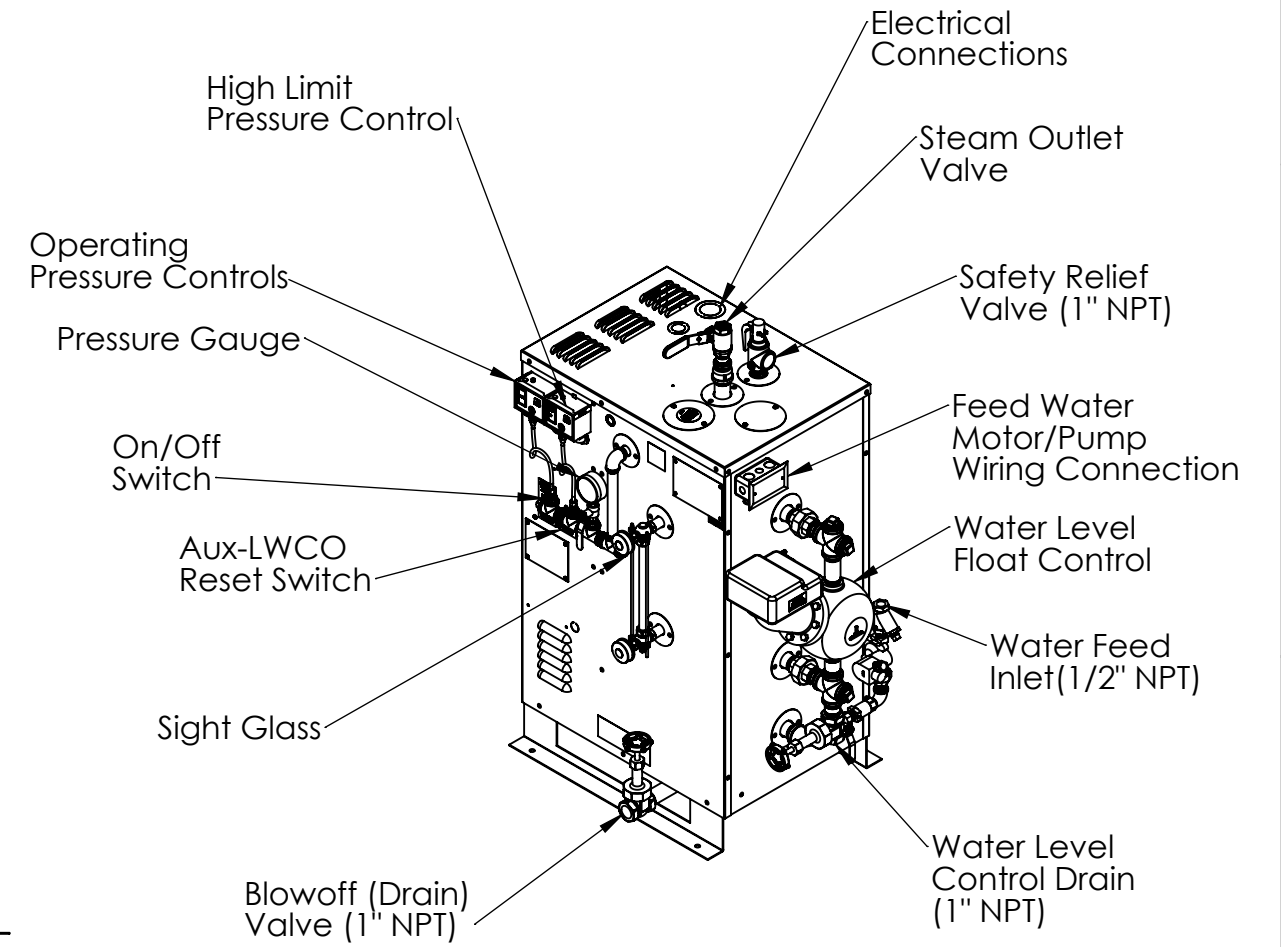


Front

Mounting Holes:
4 x ϕ .437"



Right



Notes:

- For ES72 208V/3 boilers, see Sheets 3 & 4 for dimensions and clearance requirements
- Boiler is UL listed to standard 834
- Materials of construction:
 - Vessel and Piping: Carbon Steel
 - Jacket: Stainless Steel
- Pressure vessel built in accordance with ASME Section 1 and carries an "M" stamp
- Completed boiler is built in accordance with ASME Section 1 and carries an "E" Stamp
- Refer to Technical Data Sheet at www.sussmanboilers.com for more information

	NAME	DATE	SUSSMAN-AUTOMATIC CORPORATION
DRAWN	EZ	8/11/20	43-20 34TH STREET, LONG ISLAND CITY, NEW YORK 11101
ENG APPR.	X	X	TITLE:
<small>DIMENSIONS ARE IN INCHES TOLERANCES: (EXCEPT AS NOTED) FRACTIONAL \pm 1/64 ANGULAR: \pm 1°</small>			ES24-72 Electric Steam Boiler, 15psi, 50psi and 100psi
			SIZE DWG. NO. B ES24-ES72
SCALE: 1:16			SHEET 1 OF 4

Boiler	kW	Pressure	Elements	Voltage	Amp Draw	Control Voltage	Steam Flowrate (lbs/hr)	Feed Water Consumption (GPM)	Reccomeded Min. Feed Water Rate (gpm)
ES24	24	15	2 x 12kw	208	115(1P) 67	120	72.3	0.145	0.434
				240	100(1P) 58	240			
				380	63(1P) 37	240			
				415	58(1P) 33	120			
				480	50(1P) 29	120			
ES30	30	50	1 x 12kw 1 x 18kw	208	144(1P) 83	120	90.4	0.181	0.542
				240	125(1P) 72	240			
				380	79(1P) 46	240			
				415	72(1P) 42	120			
				480	63(1P) 36	120			
ES36	36	100	2 x 18kw	208	173(1P) 100	120	108	0.216	0.648
				240	150(1P) 87	240			
				380	95(1P) 55	240			
				415	87(1P) 50	120			
				480	75(1P) 43	120			
ES48	48		1 x 12kw 2 x 18kw	208	231(1P) 133	120	145	0.290	0.870
				240	200(1P) 116	240			
				380	127(1P) 73	240			
				415	116(1P) 67	120			
				480	100(1P) 58	120			
ES60	60		2 x 12kw 2 x 18kw	208	167	120	181	0.362	1.086
				240	145	240			
				380	91	240			
				415	84	120			
				480	72	120			
ES72	72		4 x 18kw	*208	*200	120	217	0.434	1.302
				240	173	240			
				380	109	240			
				415	100	120			
				480	87	120			
				600	69	120			

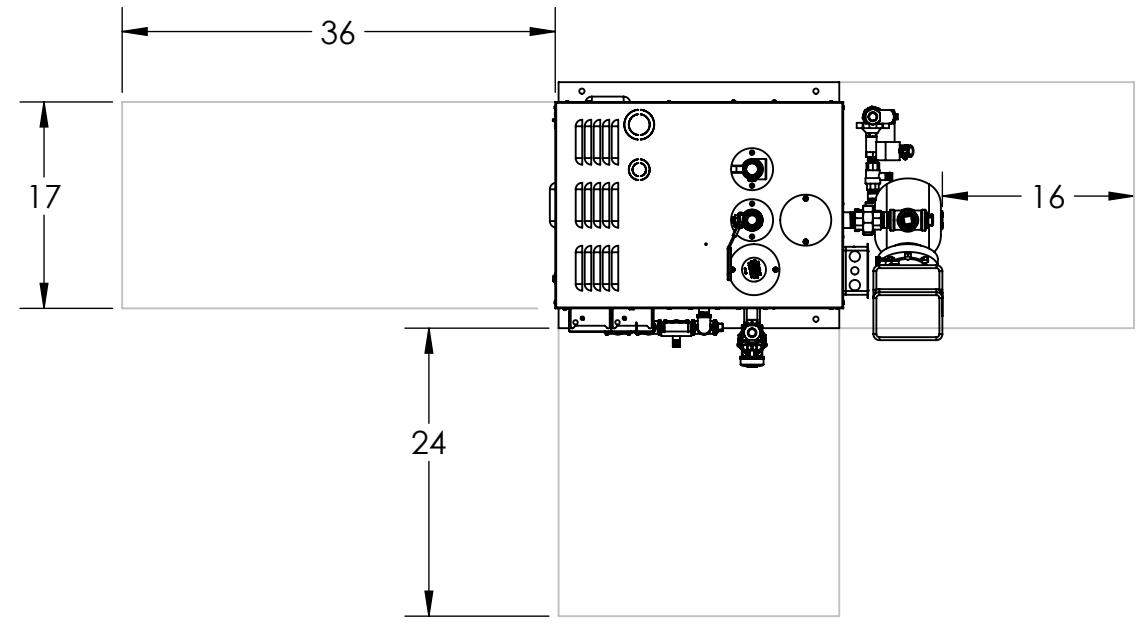
* See Sheets 3&4 for ES72XXXB3 for ES72, 208V, 3ph boilers

Boiler	Total Volume (gal)	Operating Volume (gal)	Dry Weight (LBS.)	Wet Weight (LBS.)	Shipping Weight (LBS.)	Steam Outlet Size (NPT)	Water Feed Inlet Size (NPT)	Drain Outlet Size (NPT)	Safety Valve Outlet Size (NPT)
ES24-ES36	14.3	8.96	263	338	310	1/2"	1/2"	1"	1"
ES48-ES72						3/4" (15, 50) 1/2" (100)			

Note: All weights do not include options. See option drawings for additional weights

Rev.	Date	ECN	Desc.	Auth.
1	8/11/20	xxxx	Initial Drawing	EZ

Service Clearance Requirements

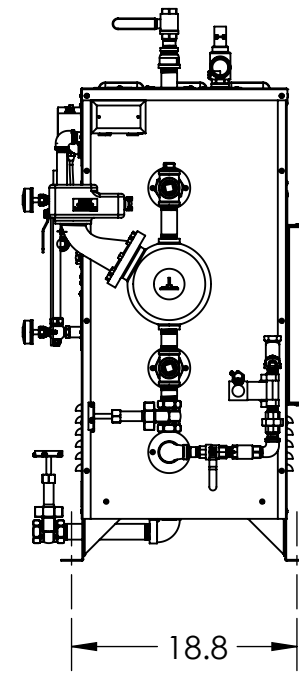
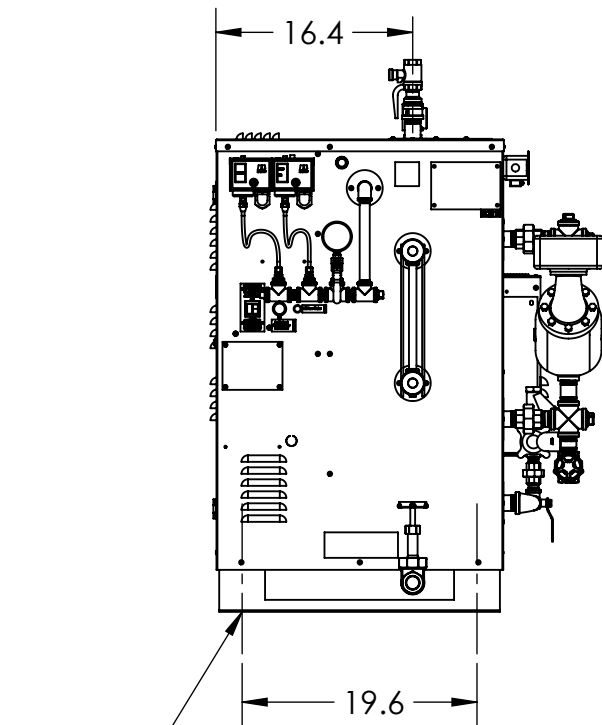
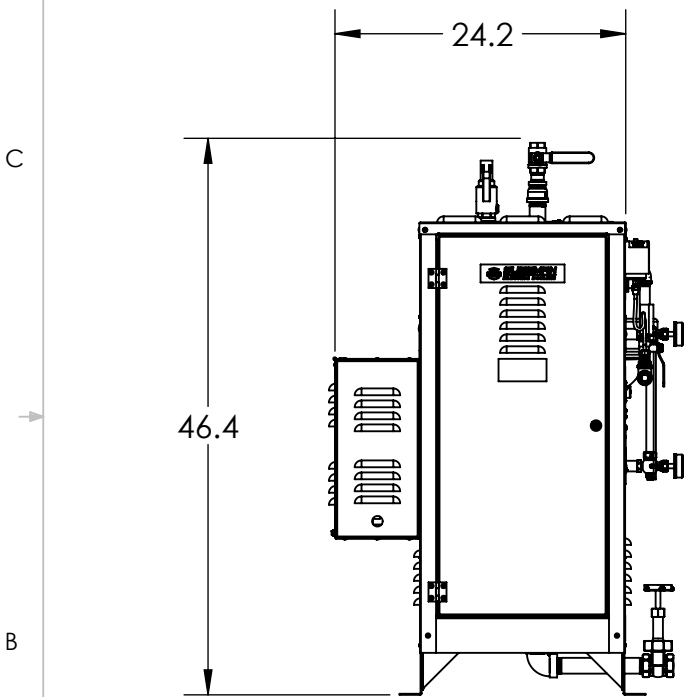
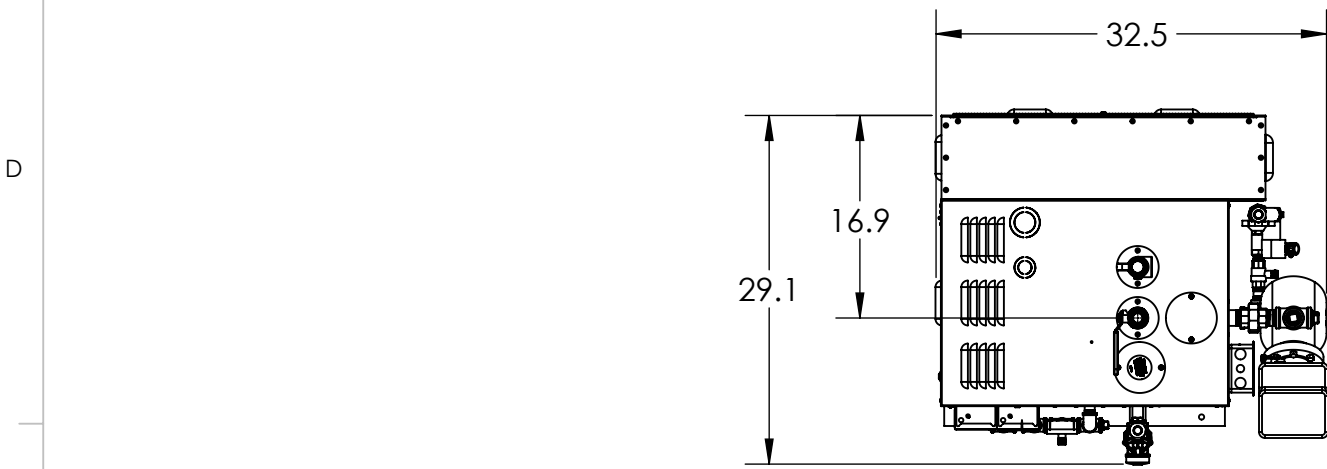


- Notes:
1. Minimum 1" clearance to all combustibile materials
 2. Service clearances to be in conformance to NEC requirements

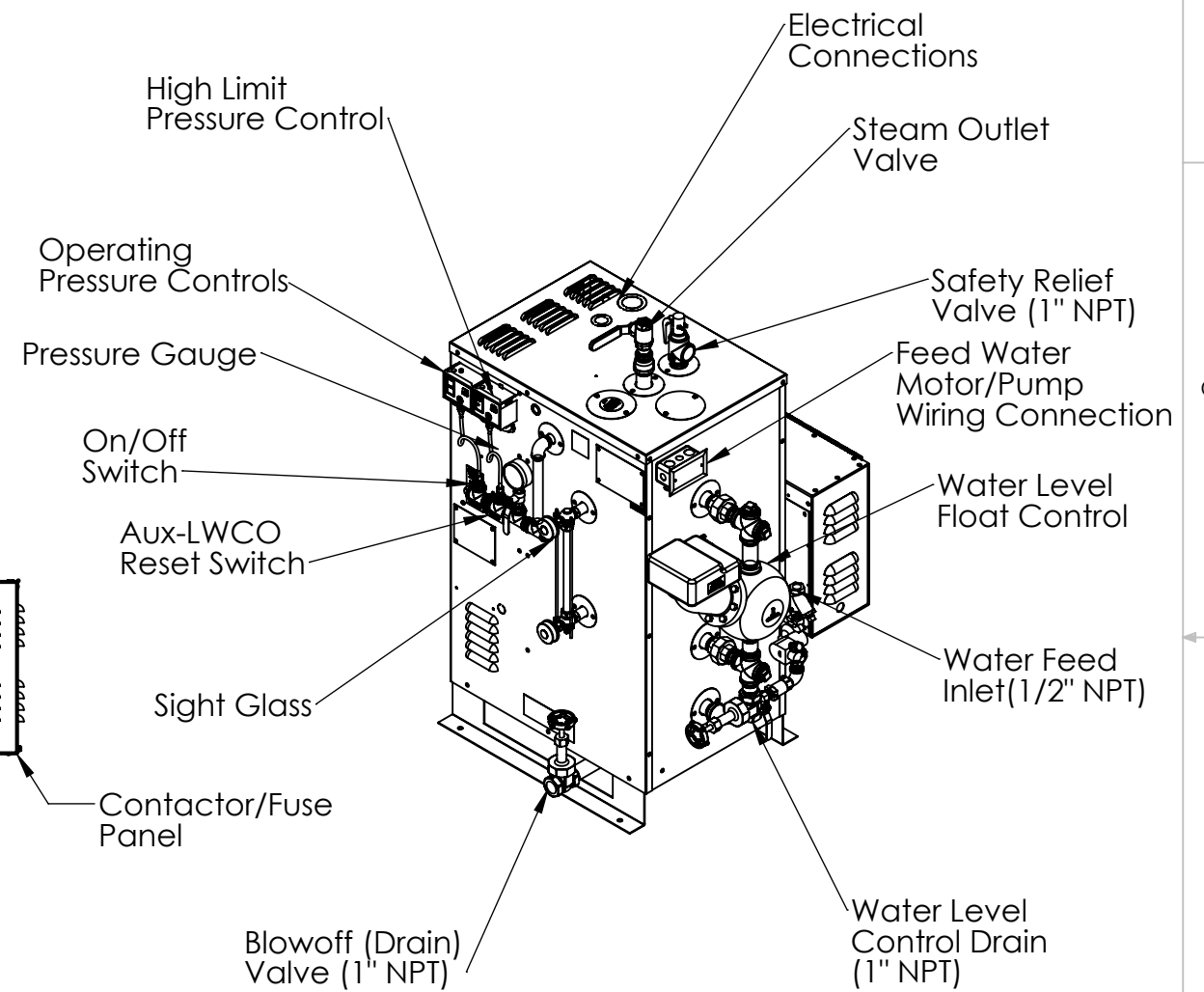
NAME	DATE	SUSSMAN-AUTOMATIC CORPORATION 43-20 34TH STREET, LONG ISLAND CITY, NEW YORK 11101
DRAWN EZ	8/11/20	
ENG APPR. X	X	
TITLE:		ES24-72 Electric Steam Boiler, 15psi, 50psi and 100psi
SIZE B	DWG. NO. ES24-ES72	
SCALE: 1:16		SHEET 2 OF 4

DIMENSIONS ARE IN INCHES
TOLERANCES: (EXCEPT AS NOTED)
FRACTIONAL ± 1/64
ANGULAR: ± 1°

Rev.	Date	ECN	Desc.	Auth.
1	8/11/20	xxxx	Initial Drawing	EZ



Mounting Holes:
4 x ϕ .437"



Notes:

- For ES72 208V/3 boilers only
- Boiler is UL listed to standard 834
- Materials of construction:
 - Vessel and Piping: Carbon Steel
 - Jacket: Stainless Steel
- Pressure vessel built in accordance with ASME Section 1 and carries an "M" stamp
- Completed boiler is built in accordance with ASME Section 1 and carries an "E" Stamp
- Refer to Technical Data Sheet at www.sussmanboilers.com for more information

NAME	DATE	SUSSMAN-AUTOMATIC CORPORATION 43-20 34TH STREET, LONG ISLAND CITY, NEW YORK 11101 TITLE: ES72 Electric Steam Boiler, 15psi, 50psi, & 100psi, 208V/3ph SIZE DWG. NO. B ES72XXXB3 SCALE: 1:16 SHEET 3 OF 4
DRAWN EZ	8/11/20	
ENG APPR. X	X	
DIMENSIONS ARE IN INCHES TOLERANCES: (EXCEPT AS NOTED) FRACTIONAL \pm 1/64 ANGULAR: \pm 1°		

Service Clearance Requirements

Rev.	Date	ECN	Desc.	Auth.
1	8/11/20	xxxx	Initial Drawing	EZ

D

D

C

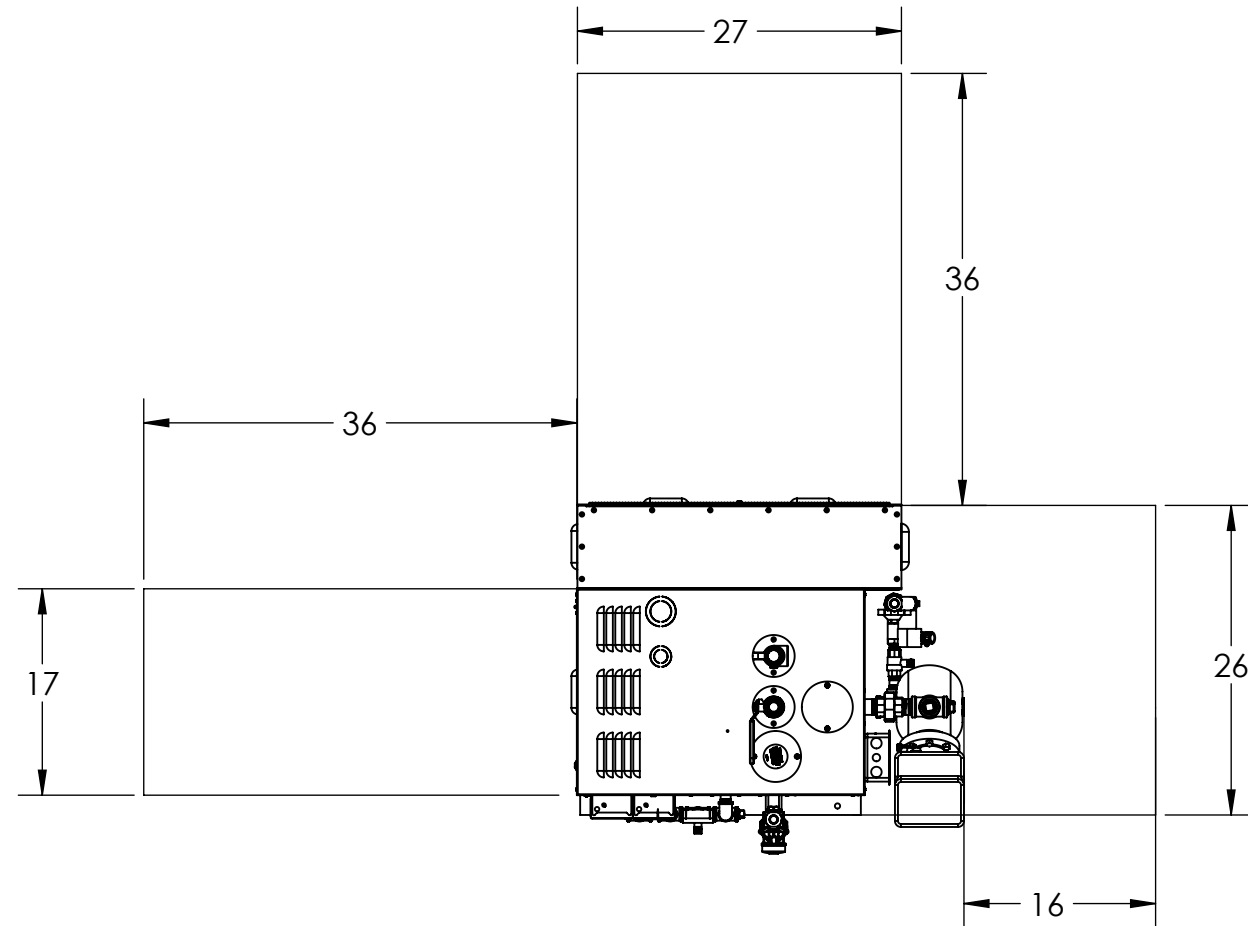
C

B

B

A

A



Boiler	kW	Pressure	Elements	Voltage	Amp Draw	Control Voltage	Steam Flowrate (lbs/hr)	Feed Water Consumption (GPM)	Reccomended Min. Feed Water Rate (gpm)
ES72	72	15 50 100	4 x 18kw	208	200	120	217	0.434	1.302
Boiler	Total Volume (gal)	Operating Volume (gal)	Dry Weight (LBS.)	Wet Weight (LBS.)	Shipping Weight (LBS.)	Steam Outlet Size (NPT)	Water Feed Inlet Size (NPT)	Drain Outlet Size (NPT)	Safety Valve Outlet Size (NPT)
ES72	14.3	8.96	263	338	310	3/4" (15, 50) 1/2" (100)	1/2"	1"	1"
Note: All weights do not include options. See option drawings for additional weights									

- Notes:
1. Minimum 1" clearance to all combustibile materials
 2. Service clearances to be in conformance to NEC requirements

	NAME	DATE	SUSSMAN-AUTOMATIC CORPORATION 43-20 34TH STREET, LONG ISLAND CITY, NEW YORK 11101
DRAWN	EZ	8/11/20	
ENG APPR.	X	X	TITLE: ES72 Electric Steam Boiler, 15psi, 50psi, & 100psi, 208V/3ph
DIMENSIONS ARE IN INCHES TOLERANCES: (EXCEPT AS NOTED) FRACTIONAL ± 1/64 ANGULAR: ± 1°			SIZE DWG. NO. B ES72XXXB3
SCALE: 1:16			SHEET 4 OF 4