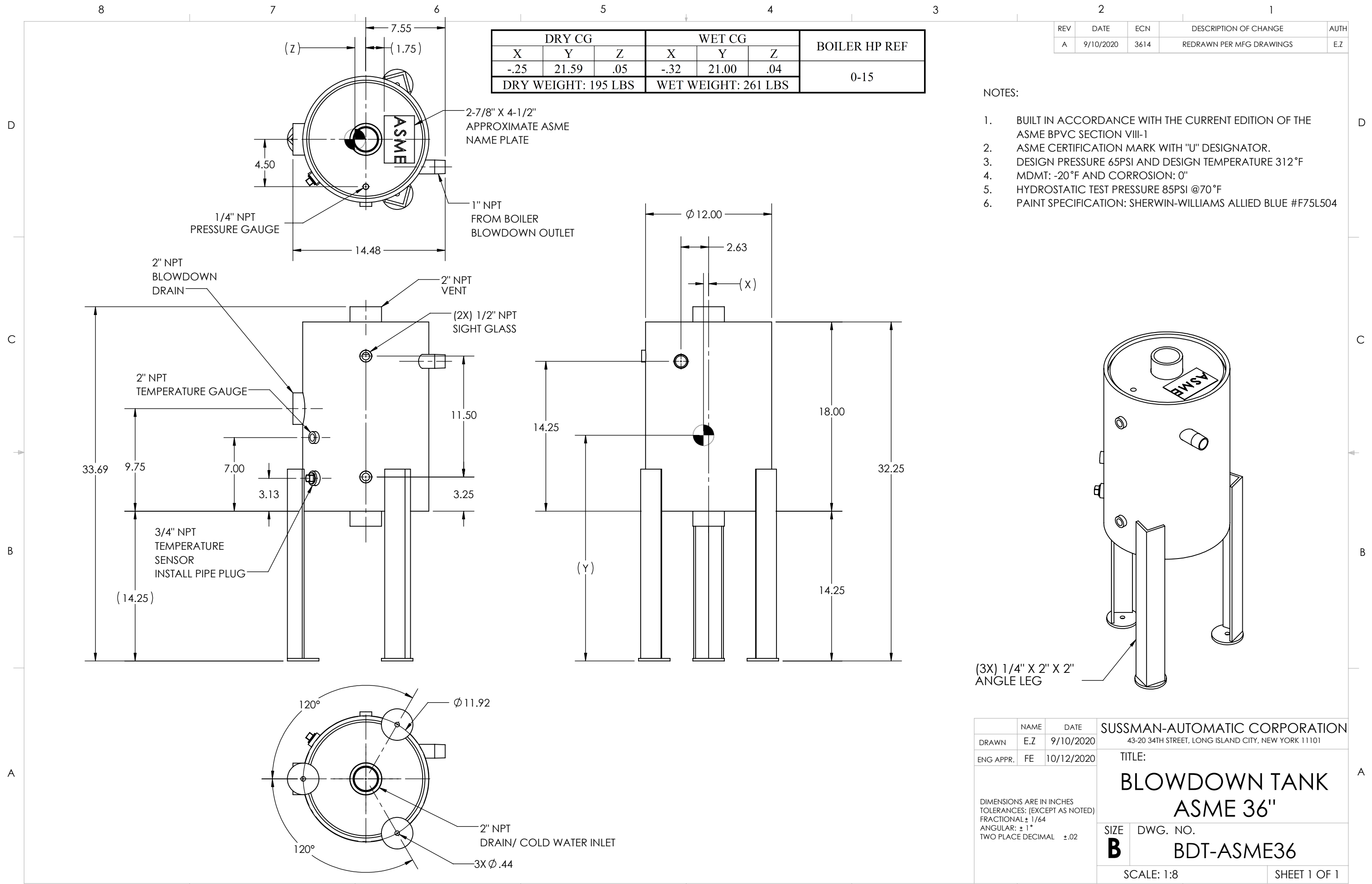


REV	DATE	ECN	DESCRIPTION OF CHANGE	AUTH
A	9/10/2020	3614	REDRAWN PER MFG DRAWINGS	E.Z

DRY CG			WET CG			BOILER HP REF
X	Y	Z	X	Y	Z	
-.25	21.59	.05	-.32	21.00	.04	0-15
DRY WEIGHT: 195 LBS			WET WEIGHT: 261 LBS			

NOTES:

- BUILT IN ACCORDANCE WITH THE CURRENT EDITION OF THE ASME BPVC SECTION VIII-1
- ASME CERTIFICATION MARK WITH "U" DESIGNATOR.
- DESIGN PRESSURE 65PSI AND DESIGN TEMPERATURE 312°F
- MDMT: -20°F AND CORROSION: 0"
- HYDROSTATIC TEST PRESSURE 85PSI @70°F
- PAINT SPECIFICATION: SHERWIN-WILLIAMS ALLIED BLUE #F75L504



(3X) 1/4" X 2" X 2" ANGLE LEG

NAME	DATE	SUSSMAN-AUTOMATIC CORPORATION 43-20 34TH STREET, LONG ISLAND CITY, NEW YORK 11101
DRAWN E.Z	9/10/2020	
ENG APPR. FE	10/12/2020	
TITLE:		<b>BLOWDOWN TANK ASME 36"</b>
SIZE <b>B</b>	DWG. NO. <b>BDT-ASME36</b>	
SCALE: 1:8		SHEET 1 OF 1

DIMENSIONS ARE IN INCHES  
TOLERANCES: (EXCEPT AS NOTED)  
FRACTIONAL  $\pm 1/64$   
ANGULAR:  $\pm 1^\circ$   
TWO PLACE DECIMAL  $\pm .02$