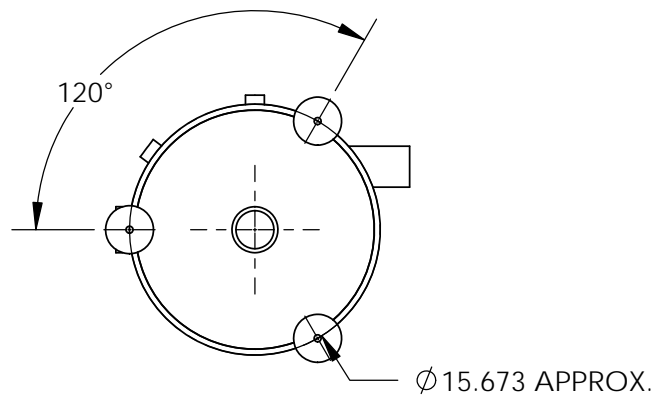
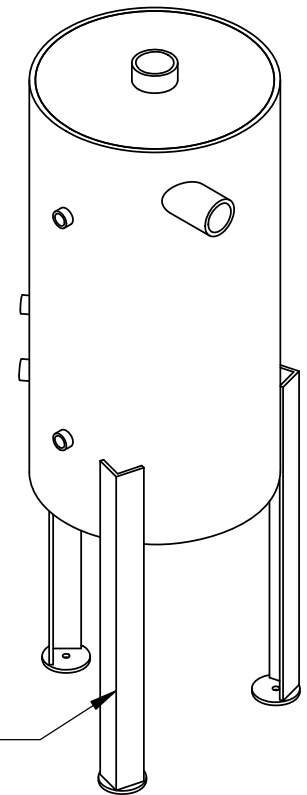
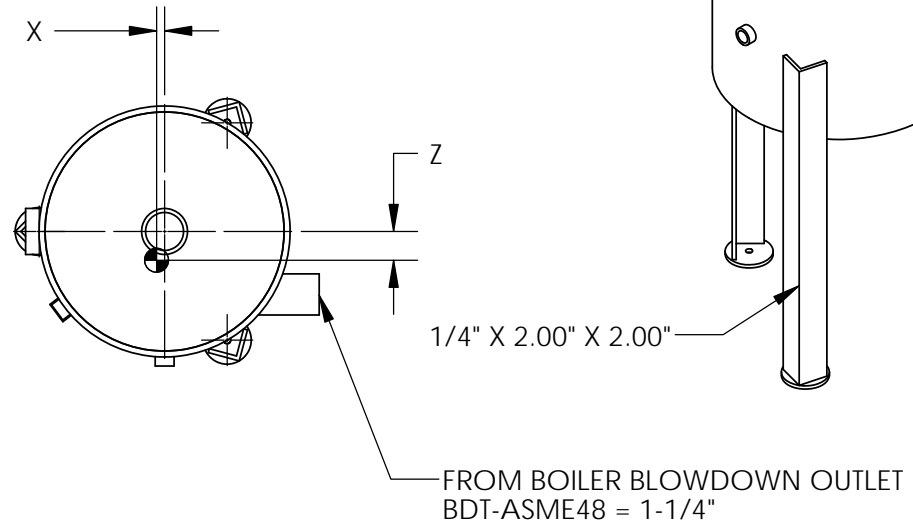
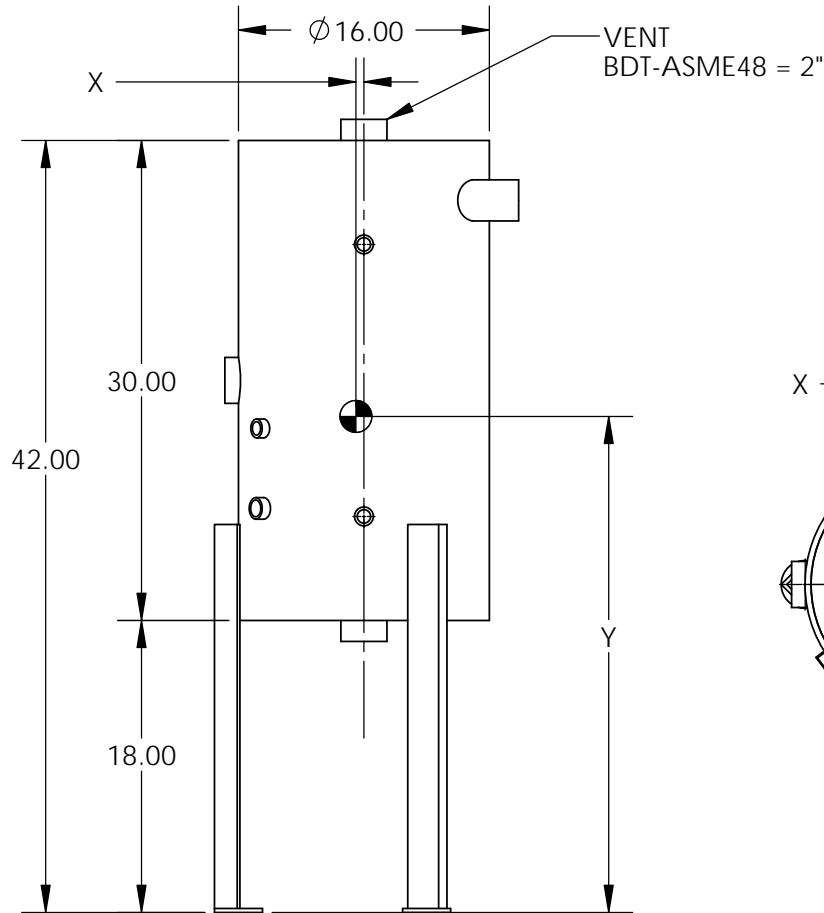


DRY CG			WET CG			BOILER HP REF
X	Y	Z	X	Y	Z	
-0.377	31.644	.061	-2.64	30.214	.042	

REV	DATE	ECN	DESCRIPTION OF CHANGE	AUTH
-	12/9/2008	N/A	DRAFT	PT



	NAME	DATE
DRAWN	PT	12/9/2008
ENG APPR.	-	-

DIMENSIONS ARE IN INCHES  
TOLERANCES: (EXCEPT AS NOTED)  
FRACTIONAL  $\pm$  N/A  
ANGULAR:  $\pm$  N/A  
DECIMAL  $\pm$  N/A

**SUSSMAN-AUTOMATIC CORPORATION**  
43-20 34TH STREET LONG ISLAND CITY NEW YORK 11101

TITLE:  
**BLOWDOWN  
SEPARATOR TANK**

SIZE **A** DWG. NO. **BDT-ASME48**

SCALE: 1:12

SHEET 1 OF 1