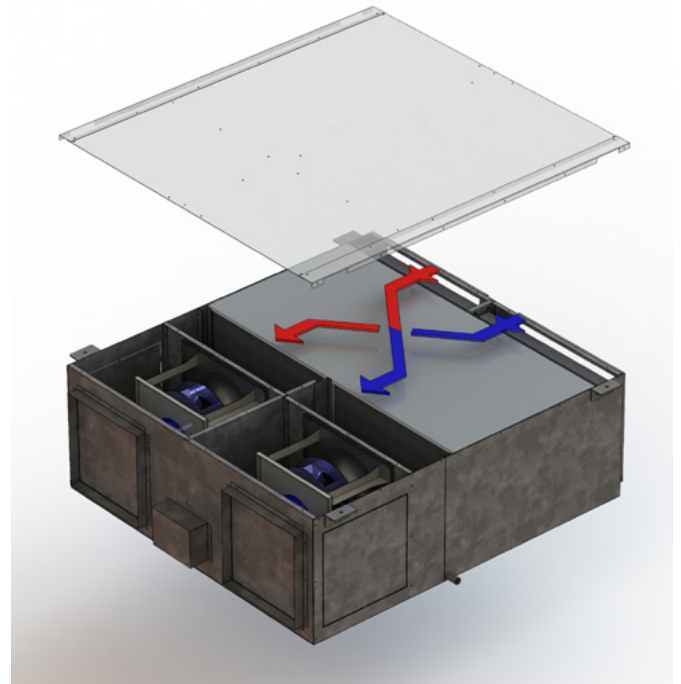
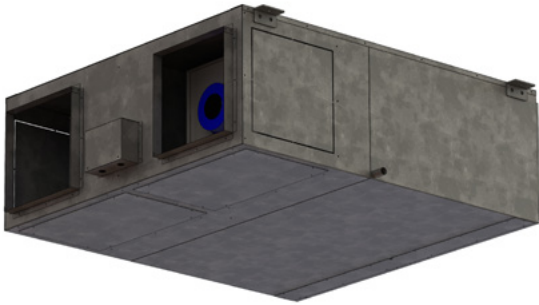


ERV-IC 600-ECP

Technical Data



Contact your Air Change representative for a psychrometric unit selection

Airflow	
Supply Air	600l/s (nominal)
Exhaust Air	600l/s (nominal)
Outside Air	100%

Fans	
Type	EC Plug
Total Fans	x1
Nominal Power	779W
Fan Diameter	310mm
Fan Speed (max.)	2833RPM
Motor Efficiency Class	IE4
Ingress Protection Class	IP54
Speed Control	Potentiometer Control

Air-to-Air Heat Exchanger	
HEX Type	Counterflow Plate
HEX Media	Sensible-only or Enthalpy

Electrical & Controls	
Electrical Input	230V / 1ph / 50Hz
Full Load Amps	9.2A
Control	Low Level Interface

Fans	
Type	EC Plug
Total Fans	x1
Nominal Power	779W
Fan Diameter	310mm
Fan Speed (max.)	2833RPM
Motor Efficiency Class	IE4
Ingress Protection Class	IP54
Speed Control	Potentiometer Control

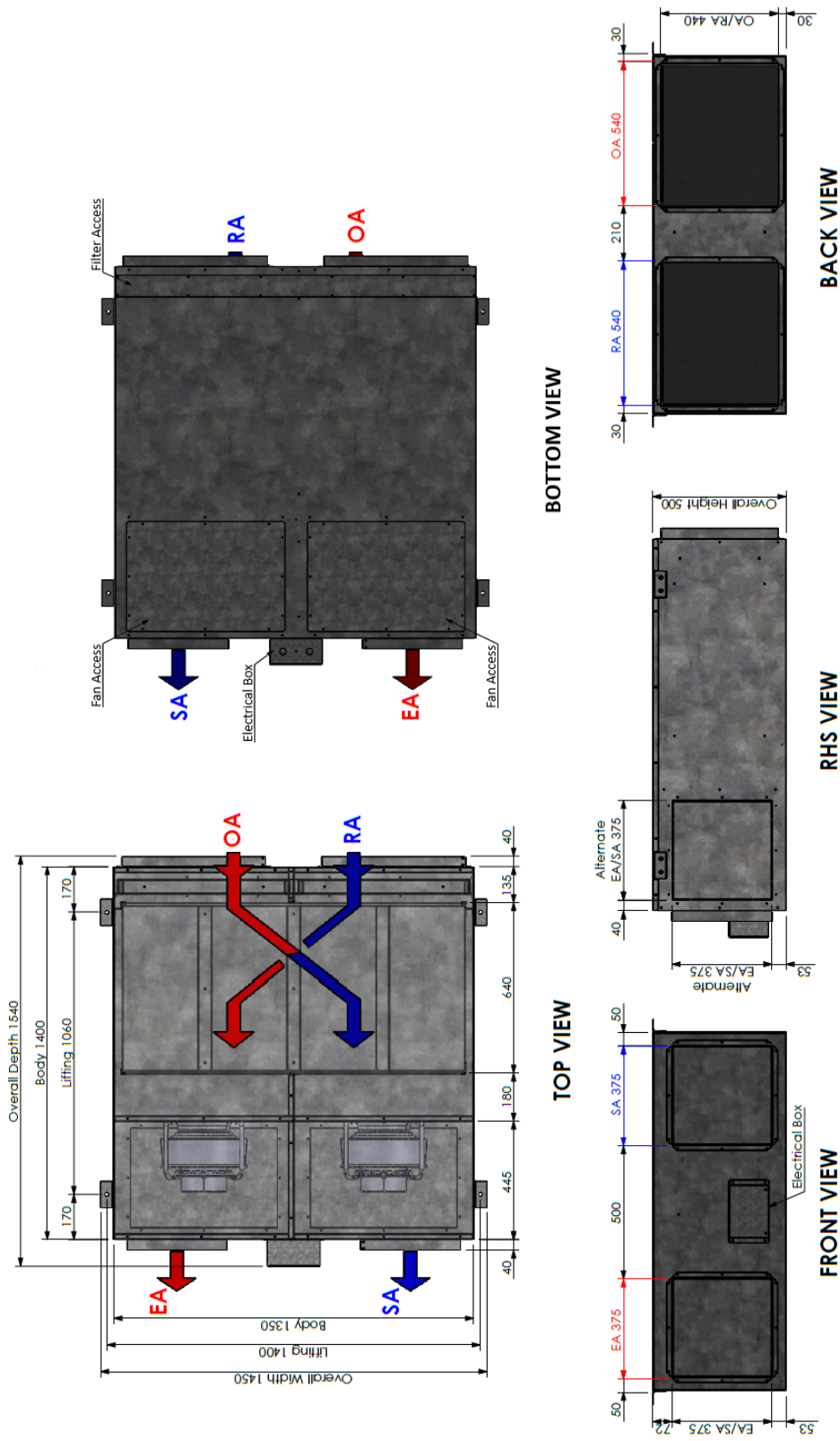
Construction	
Weatherproof	No
Casing	Galvanised Sheetmetal
Insulation	12mm Polyurethane Film Faced Foam
Internal Drain Tray	Incl. with Sensible-only HEX option
Internal Filters	Panel Filters included
Filter Quantity	x2
Filter Size (W x H x D)	635 mm x 475 mm x 50mm
Filtration Grade	G4

ERV-IC 600-ECP

Technical Data

Dimensions

Note: Unit must be configured so that the SA Spigot is diagonally opposite to the OA Spigot, and the EA Spigot is diagonally opposite to the RA Spigot.

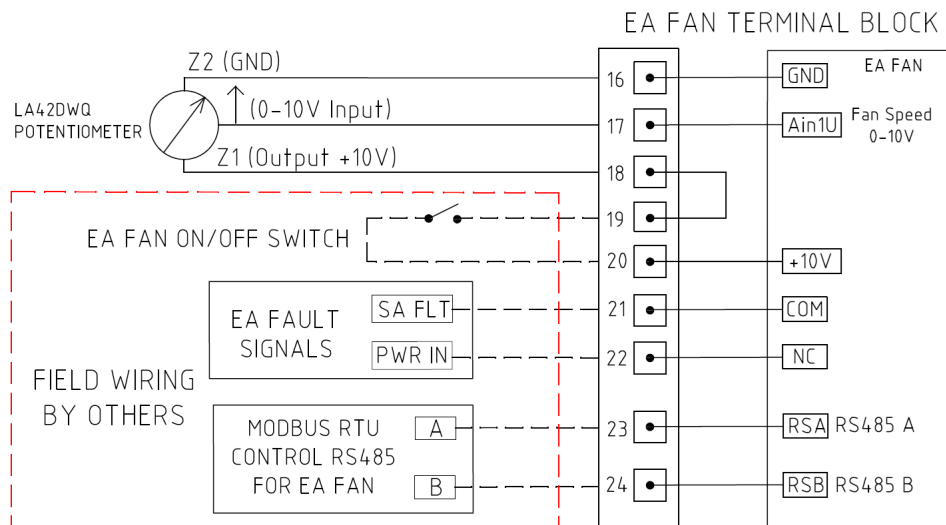
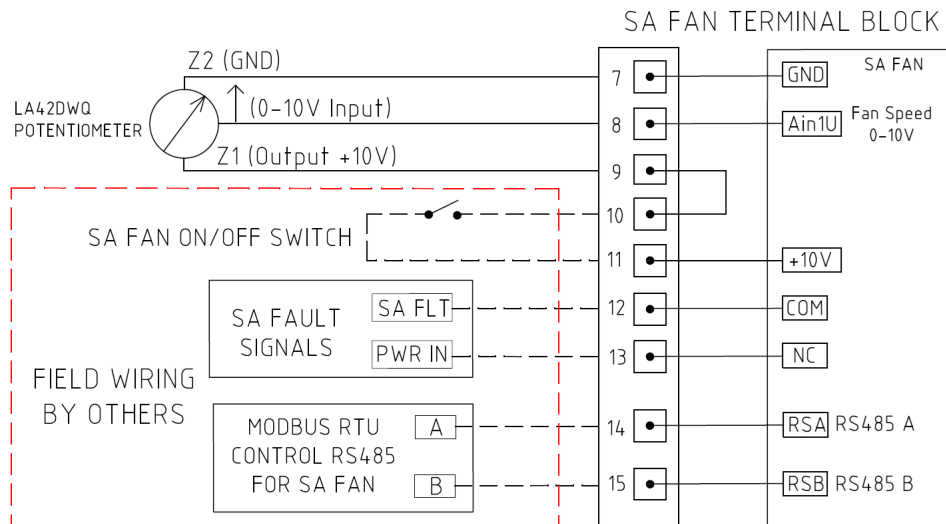
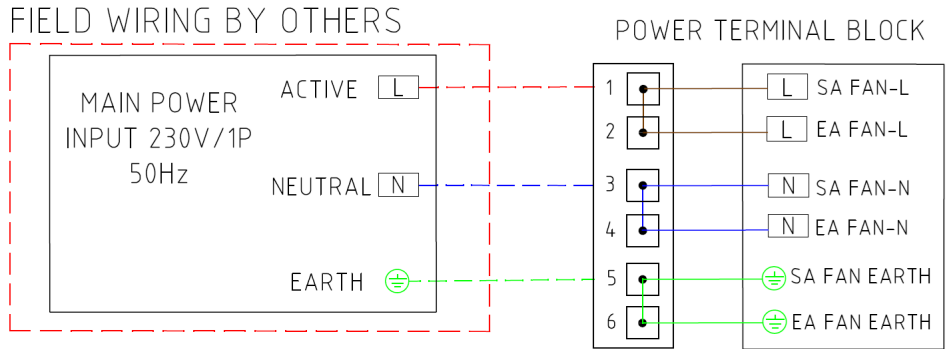


Unit Weight: 220kg

ERV-IC 600-ECP

Technical Data

Wiring Diagram



--- DENOTES FIELD WIRING

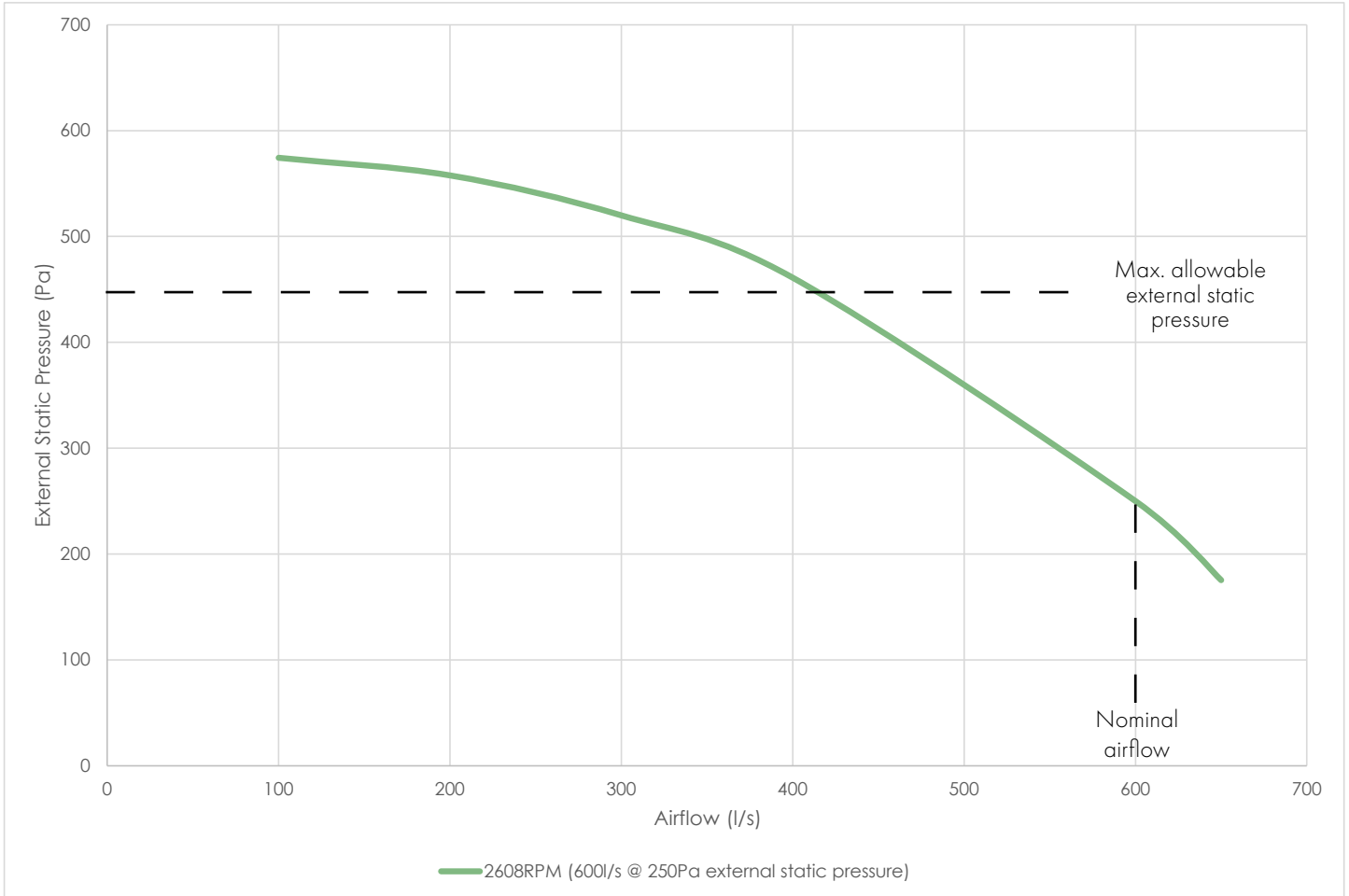
COMPONENTS	LRA	FLA
SA FAN -779W EC 230V/1/@50HZ (X 1)	N/A	4.61
EA FAN -779W EC 230V/1/@50HZ (X 1)	N/A	4.61

NOTE:
CIRCUIT BREAKER TO BE
INSTALLED BY OTHERS
MAX 10A

ERV-IC 600-ECP

Technical Data

Supply / Exhaust Air Fan Curve



Fan Absorbed Power (600l/s @ 250Pa external static pressure): 590W

Supply / Exhaust Air Fan Acoustics (Sound Power)[†]

600/s @ 250 Pa External Static Pressure									
Inlet									
Frequency (Hz)	sum	63	125	250	500	1000	2000	4000	8000
A-weighted (dB)	73	42	53	67	68	68	66	61	55
Non A-weighted (dB)	73	68	69	75	71	68	65	60	56
Outlet									
Frequency (Hz)	sum	63	125	250	500	1000	2000	4000	8000
A-weighted (dB)	81	44	54	66	69	77	77	73	61
Non A-weighted (dB)	81	70	70	74	72	77	75	72	62

[†] Noise data considers supply / exhaust air fans individually, without attenuation by the cabinet.