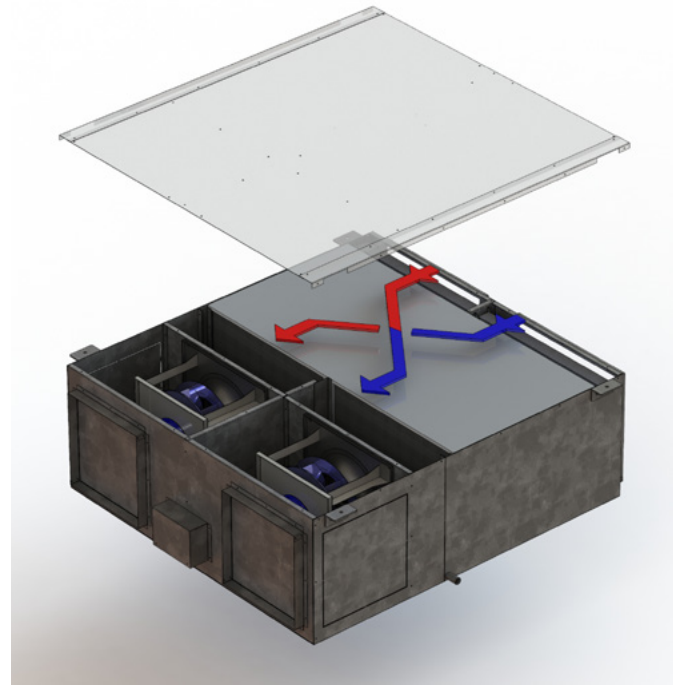
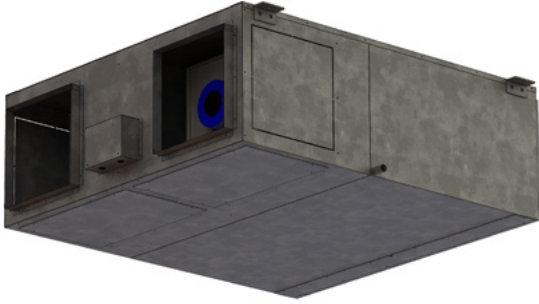


# ERV-IC 400-ECP

## Technical Data



Contact your Air Change representative for a psychrometric unit selection

Airflow	
Supply Air	400l/s (nominal)
Exhaust Air	400l/s (nominal)
Outside Air	100%

Fans	
Type	EC Plug
Total Fans	x1
Nominal Power	700W
Fan Diameter	280mm
Fan Speed (max.)	2950RPM
Motor Efficiency Class	IE4
Ingress Protection Class	IP54
Speed Control	Potentiometer Control

Supply Air

Fans	
Type	EC Plug
Total Fans	x1
Nominal Power	700W
Fan Diameter	280mm
Fan Speed (max.)	2950RPM
Motor Efficiency Class	IE4
Ingress Protection Class	IP54
Speed Control	Potentiometer Control

Exhaust Air

Air-to-Air Heat Exchanger	
HEX Type	Counterflow Plate
HEX Media	Sensible-only or Enthalpy

Electrical & Controls	
Electrical Input	240V / 1 ph / 50Hz
Full Load Amps	6.6A
Control	Low Level Interface

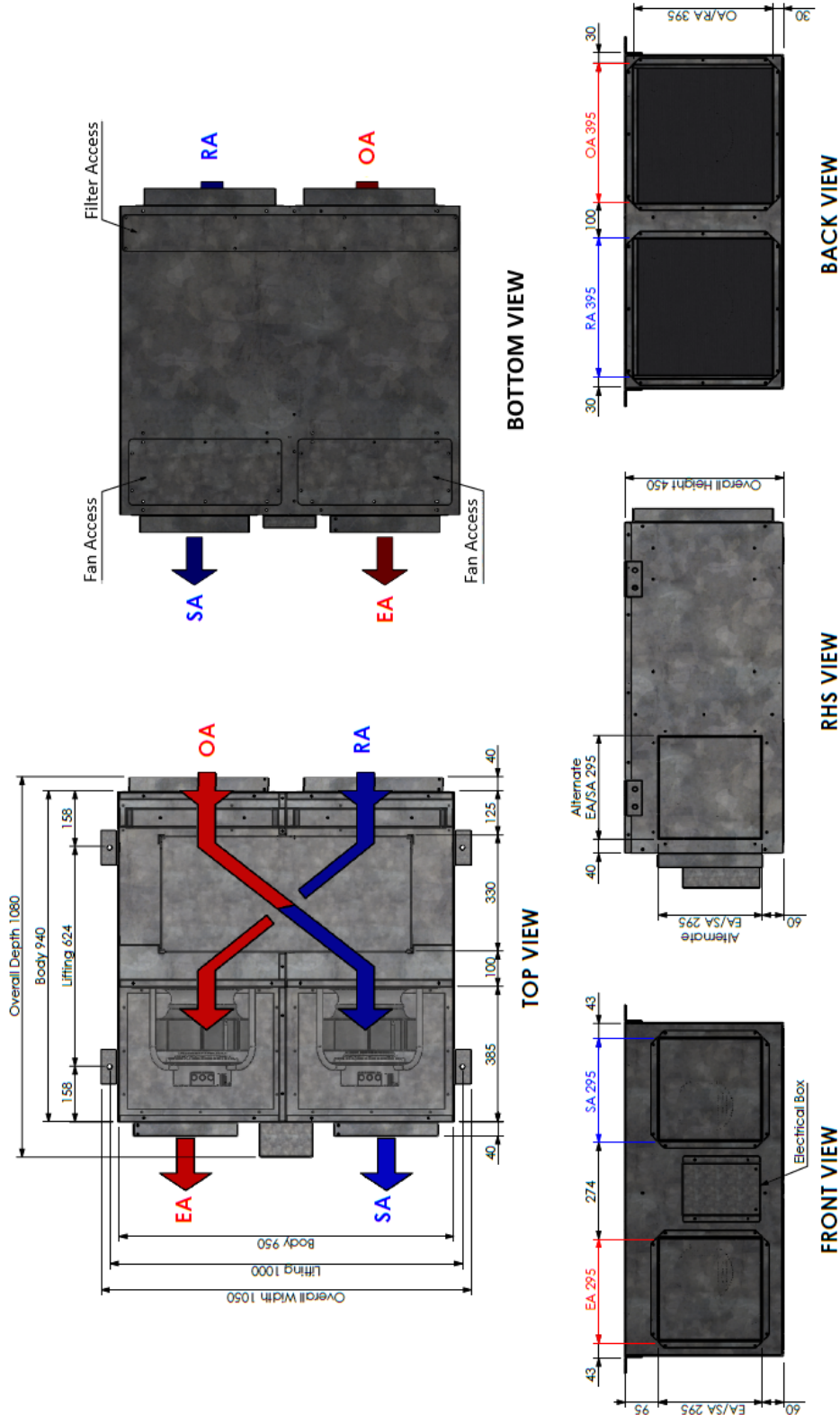
Construction	
Weatherproof	No
Casing	Galvanised Sheetmetal
Insulation	12mm Polyurethane Film Faced Foam
Internal Drain Tray	Incl. with Sensible-only HEX option
Internal Filters	Panel Filters included
Filter Quantity	x2
Filter Size (W x H x D)	425 mm x 415 mm x 50mm
Filtration Grade	G4

# ERV-IC 400-ECP

## Technical Data

### Dimensions

Note: Unit must be configured so that the SA Spigot is diagonally opposite to the OA Spigot, and the EA Spigot is diagonally opposite to the RA Spigot.

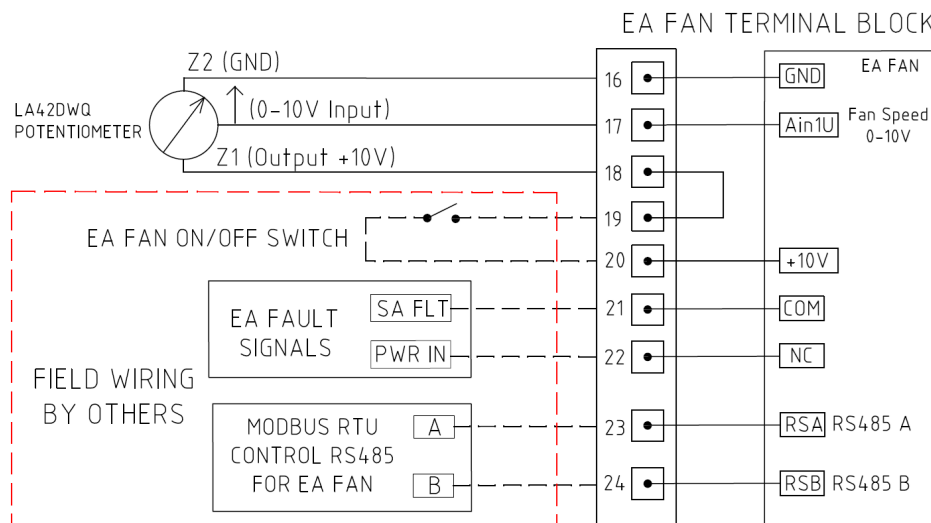
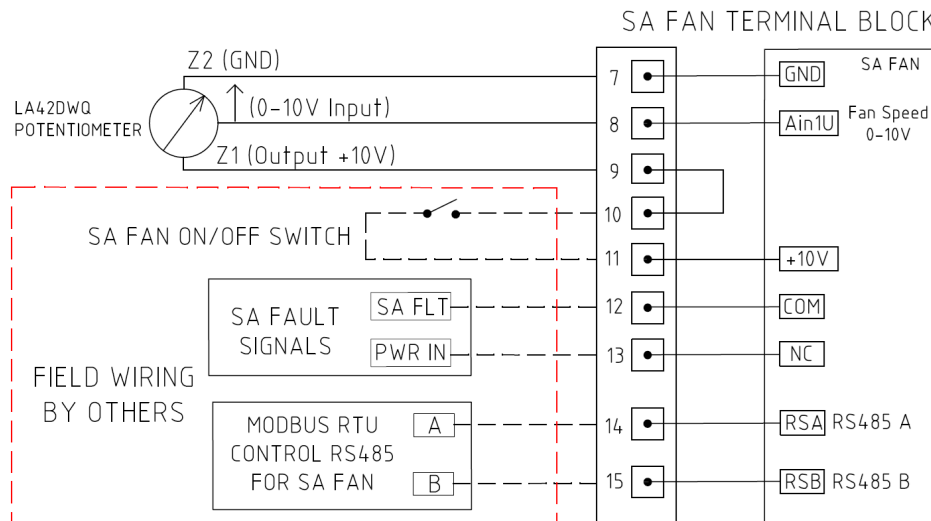
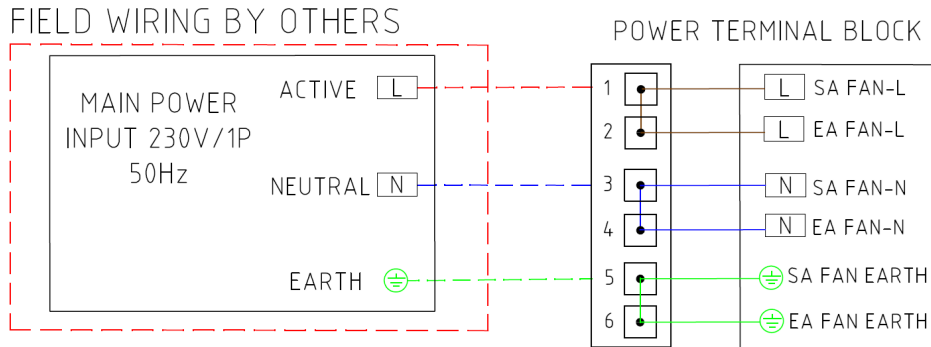


Unit Weight: 110kg

# ERV-IC 400-ECP

## Technical Data

### Wiring Diagram



--- DENOTES FIELD WIRING

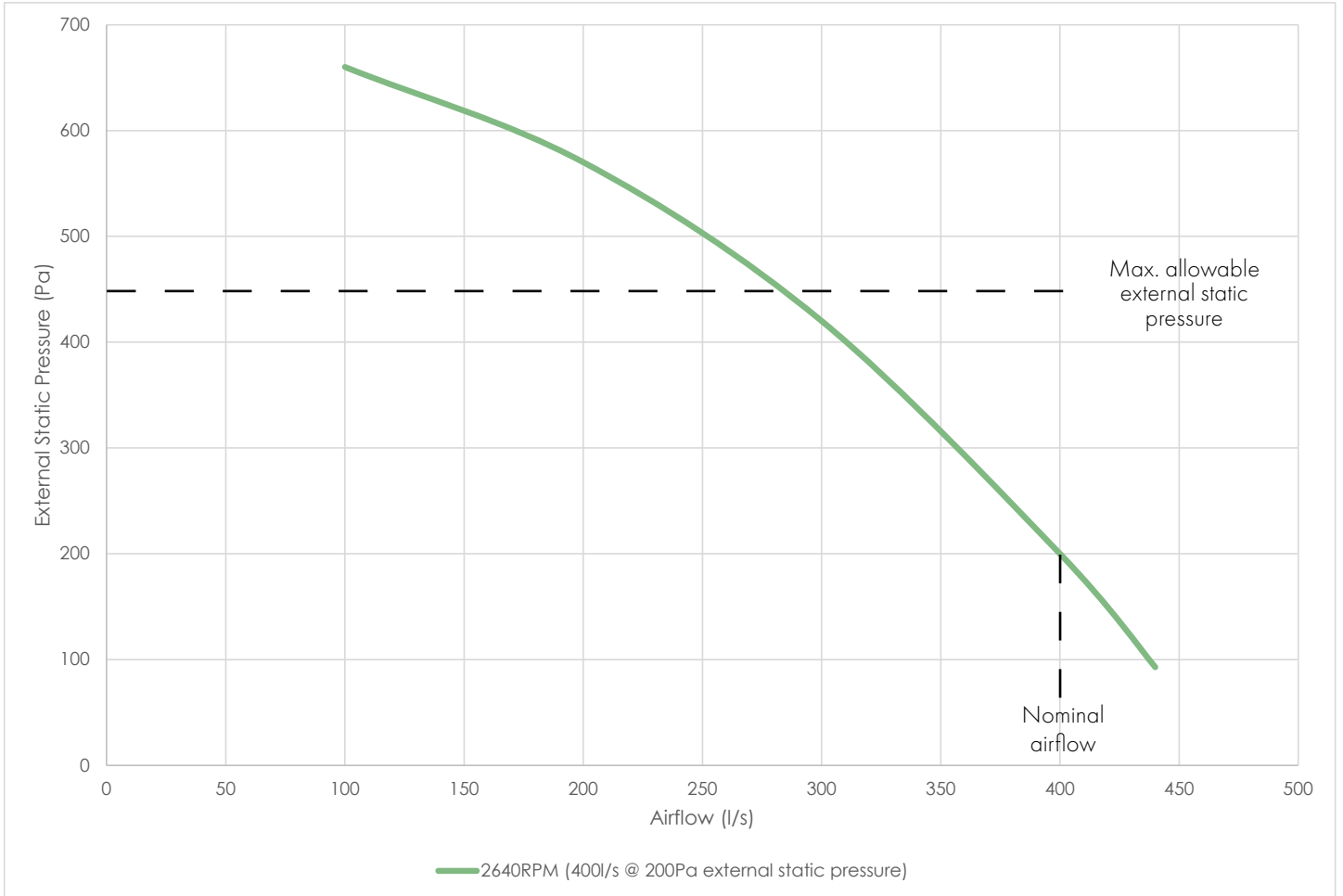
COMPONENTS	LRA	FLA
SA FAN -700W EC 230V/1/@50HZ (X 1)	N/A	3.3
EA FAN -700W EC 230V/1/@50HZ (X 1)	N/A	3.3

NOTE:  
CIRCUIT BREAKER TO BE  
INSTALLED BY OTHERS  
MAX 10A

# ERV-IC 400-ECP

## Technical Data

### Supply / Exhaust Air Fan Curve



### Supply / Exhaust Air Fan Acoustics (Sound Power)<sup>†</sup>

400/s @ 200 Pa External Static Pressure									
Inlet									
Frequency (Hz)	sum	63	125	250	500	1000	2000	4000	8000
<b>A-weighted (dB)</b>	71	44	54	62	65	65	63	61	53
<b>Non A-weighted (dB)</b>	71	71	71	71	68	65	62	60	55
Outlet									
Frequency (Hz)	sum	63	125	250	500	1000	2000	4000	8000
<b>A-weighted (dB)</b>	76	49	59	67	70	70	68	66	58
<b>Non A-weighted (dB)</b>	76	76	76	76	73	70	67	65	60

<sup>†</sup> Noise data considers supply / exhaust air fans individually, without attenuation by the cabinet.