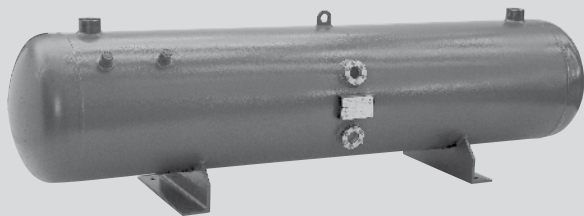
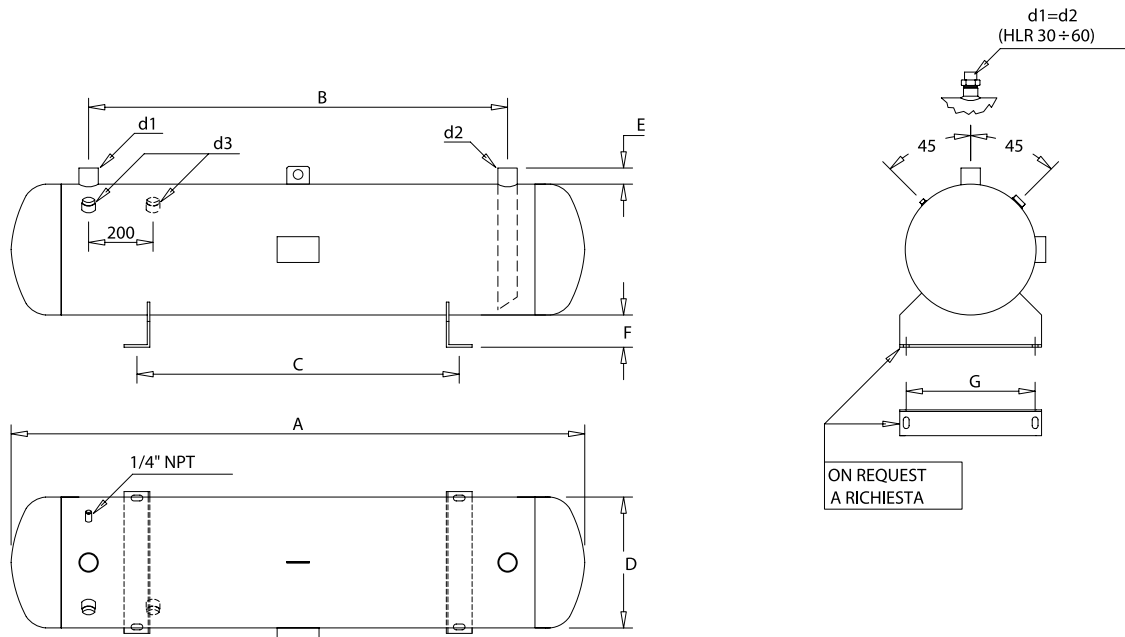


# LIQUID RECEIVERS



# HORIZONTAL LIQUID RECEIVERS HLR RICEVITORI DI LIQUIDO ORIZZONTALI



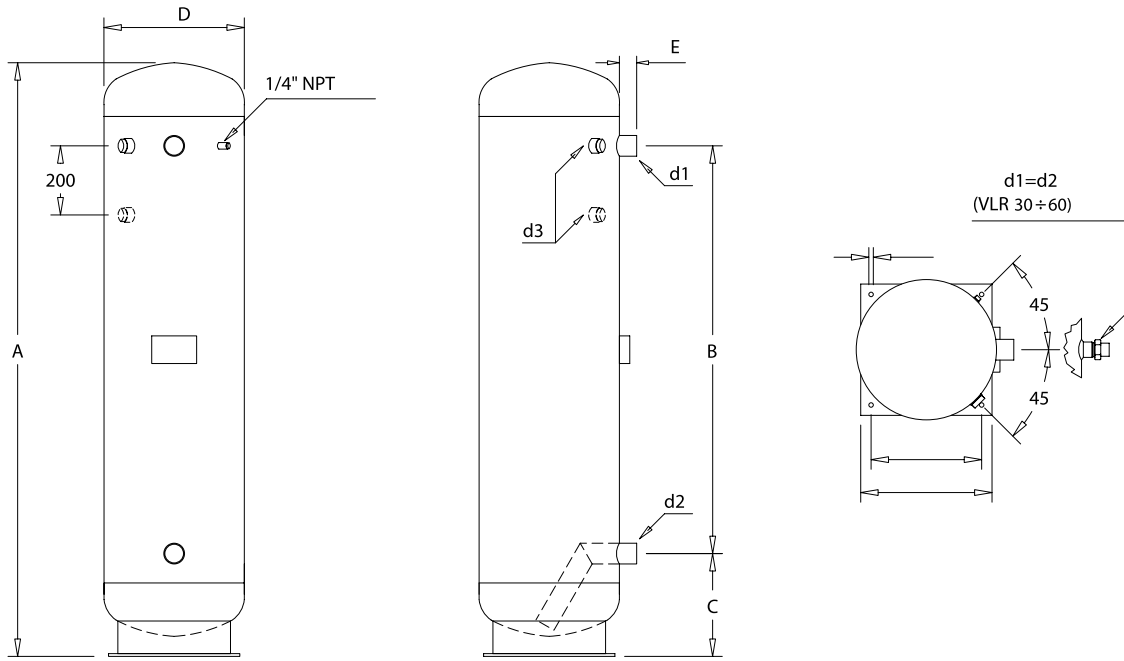
| MODEL - MODELLO<br>MODELL - MODELE | VOLUME<br>dm <sup>3</sup> | A<br>mm | B<br>mm | C<br>mm | D<br>mm | E<br>mm | F<br>mm | G<br>mm | H<br>mm | d1<br>mm                | d2<br>mm                | d3<br>mm   | Category<br>Categoria<br>Categorie<br>* PED | Weight<br>Peso<br>Gewicht<br>Poids |
|------------------------------------|---------------------------|---------|---------|---------|---------|---------|---------|---------|---------|-------------------------|-------------------------|------------|---|------------------------------------|
|                                    |                           |         |         |         |         |         |         |         |         |                         |                         |            |   | Kg                                 |
| HLR 30                             | 31                        | 920     | 550     | 560     | 219     | 70      | 80      | 260     | -       | ODS 35<br>(1" 3/4 Rtlk) | ODS 35<br>(1" 3/4 Rtlk) | 1/2" NPT   | II  | 35                                 |
| HLR 40                             | 40                        | 1170    | 800     | 700     |         |         |         |         |         |                         |                         |            | III   | 39                                 |
| HLR 50                             | 49                        | 1420    | 1050    | 900     |         |         |         |         |         |                         |                         |            | III   | 50                                 |
| HLR 60                             | 57                        | 1670    | 1300    | 1000    |         |         |         |         |         |                         |                         |            | III   | 56                                 |
| HLR 70                             | 64                        | 1200    | 800     | 700     | 273     | 50      | 100     | 300     | -       | ODS 42                  | ODS 42                  | 1" NP      | III   | 52                                 |
| HLR 80                             | 77                        | 1450    | 1050    | 900     |         |         |         |         |         |                         |                         |            | III   | 68                                 |
| HLR 90                             | 90                        | 1700    | 1300    | 1000    |         |         |         |         |         |                         |                         |            | III   | 90                                 |
| HLR 110                            | 109                       | 1480    | 1050    | 900     | 324     | 50      | 100     | 300     | -       | ODS 54                  | ODS 54                  | 1" NPT     | IV  | 91                                 |
| HLR 130                            | 128                       | 1740    | 1300    | 1000    |         |         |         |         |         |                         |                         |            | IV  | 108                                |
| HLR 145                            | 144                       | 1280    | 800     | 700     | 406     | 50      | 120     | 400     | -       | ODS 54                  | ODS 54                  | 1" NPT     | IV  | 120                                |
| HLR 175                            | 173                       | 1530    | 1050    | 900     |         |         |         |         |         |                         |                         |            | IV  | 128                                |
| HLR 200                            | 203                       | 1780    | 1300    | 1000    |         |         |         |         |         |                         |                         |            | IV  | 146                                |
| HLR 260                            | 262                       | 2280    | 1800    | 1200    |         |         |         |         |         |                         |                         |            | IV  | 183                                |
| HLR 320                            | 318                       | 1830    | 1300    | 1000    |         |         |         |         |         |                         |                         |            | 508   | 50                                 |
| HLR 410                            | 412                       | 2330    | 1800    | 1200    | IV      | 326     |         |         |         |                         |                         |            |   |                                    |
| HLR 500                            | 506                       | 2830    | 2300    | 1500    | OD 89   | OD 89   | IV      | 345     |         |                         |                         |            |   |                                    |
| HLR 600                            | 600                       | 3330    | 2800    | 2000    | IV      | 420     |         |         |         |                         |                         |            |   |                                    |
| HLR 630                            | 628                       | 2850    | 2300    | 1500    | 558     | 70      | 120     | 500     | -       | OD 114                  | OD 114                  | 3 x 1" NPT | IV  | 416                                |
| HLR 745                            | 743                       | 3350    | 2800    | 2000    |         |         |         |         |         |                         |                         |            | IV  | 480                                |
| HLR 880                            | 870                       | 3380    | 2800    | 2000    |         |         |         |         |         |                         |                         |            | 610   | 70                                 |
| HLR 1000                           | 999                       | 3880    | 3300    | 2200    | IV      | 605     |         |         |         |                         |                         |            |   |                                    |

\* PED category according to EU directive 97/23-CE / The category refers to the use of group 2 fluids at the PS value of standard temperature version

Working limits - Limiti di lavoro (CE standard)

Design temperature - Temperatura di progetto: -10/+120°C / Design pressure - Pressione di progetto: 32 bar / Fluids - Fluidi: HFC, HCFC, NH3

# VERTICAL LIQUID RECEIVERS VLR RICEVITORI DI LIQUIDO VERTICALI



| MODEL - MODELLO<br>MODELL - MODELE | VOLUME<br>dm <sup>3</sup> | A<br>mm | B<br>mm | C<br>mm | D<br>mm | E<br>mm | F<br>mm | G<br>mm | H<br>mm | d1<br>mm                     | d2<br>mm                     | d3<br>mm      | Category<br>Categoria<br>Kategorie<br>Categorie<br>* PED | Weight<br>Peso<br>Gewicht<br>Poids |
|------------------------------------|---------------------------|---------|---------|---------|---------|---------|---------|---------|---------|------------------------------|------------------------------|---------------|--|------------------------------------|
|                                    |                           |         |         |         |         |         |         |         |         |                              |                              |               |  | Kg                                 |
| VLR 30                             | 31                        | 950     | 550     | 215     | 219     | 70      | 270     | 210     | 13      | ODS<br>35<br>(1"3/4<br>Rtlk) | ODS<br>35<br>(1"3/4<br>Rtlk) | 1/2"<br>NPT   | II   | 37                                 |
| VLR 40                             | 40                        | 1200    | 800     |         |         |         |         |         |         |                              |                              |               | III  | 41                                 |
| VLR 50                             | 49                        | 1450    | 1050    |         |         |         |         |         |         |                              |                              |               | III  | 52                                 |
| VLR 60                             | 57                        | 1700    | 1300    |         |         |         |         |         |         |                              |                              |               | III  | 56                                 |
| VLR 70                             | 64                        | 1230    | 800     | 230     | 273     | 50      | 270     | 210     | 13      | ODS<br>42                    | ODS<br>42                    | 1"<br>NPT"    | III  | 54                                 |
| VLR 80                             | 77                        | 1480    | 1050    |         |         |         |         |         |         |                              |                              |               | III  | 70                                 |
| VLR 90                             | 90                        | 1730    | 1300    |         |         |         |         |         |         |                              |                              |               | III  | 92                                 |
| VLR 110                            | 109                       | 1520    | 1050    | 250     | 324     | 50      | 330     | 280     | 13      | ODS<br>54                    | ODS<br>54                    | 1"<br>NPT     | IV   | 94                                 |
| VLR 130                            | 128                       | 1770    | 1300    |         |         |         |         |         |         |                              |                              |               | IV   | 111                                |
| VLR 145                            | 144                       | 1330    | 800     | 290     | 406     | 50      | 380     | 320     | 13      | ODS<br>54                    | ODS<br>54                    | 1"<br>NPT     | IV   | 124                                |
| VLR 175                            | 173                       | 1580    | 1050    |         |         |         |         |         |         |                              |                              |               | IV   | 132                                |
| VLR 200                            | 209                       | 1830    | 1300    |         |         |         |         |         |         |                              |                              |               | IV   | 150                                |
| VLR 260                            | 262                       | 2330    | 1800    |         |         |         |         |         |         |                              |                              |               | IV   | 187                                |
| VLR 320                            | 318                       | 1880    | 1300    | 315     | 508     | 50      | 500     | 440     | 18      | OD 76                        | OD 76                        | 2 x<br>1" NPT | IV   | 231                                |
| VLR 410                            | 412                       | 2380    | 1800    |         |         |         |         |         |         |                              |                              |               | IV   | 330                                |

\* PED category according to EU directive 97/23-CE / The category refers to the use of group 2 fluids at the PS value of standard temperature version

Working limits - Limiti di lavoro (CE standard)

Design temperature - Temperatura di progetto: -10/+120°C / Design pressure - Pressione di progetto: 32 bar / Fluids - Fluidi: HFC, HCFC, NH3