

Electric boilers



A Norwegian quality product 

SB 750 - 1200 kW

www.varmeteknikk.no

August 2020 V2

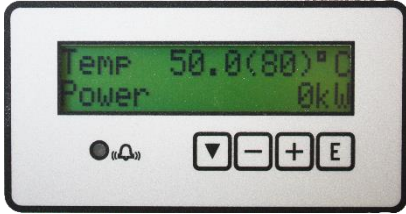
SB 450 – 1200 kW

The boiler can be delivered for 450-750 kW @ 230 V, and 750 – 1200 kW @ 400 and 690 V. Operating temperature is max 100 °C, and max pressure is 6 bar.

Available also in 16 bar version.

The boiler is equipped with an electronic temperature regulator with 30 steps and temperature setting range 5 – 100 °C.

A display is indicating temperature, power, steps etc.



30-step electronic regulator with option for remote control



Picture showing SB1200kW/400V

For optimized economical operation, an outdoor temperature sensor may be connected (optionally) for weather compensated heat curve regulation.

Integrated step limitation allow power limitation if needed.

Remote control/signals to SCADA

The boiler is prepared for remote control of temperature and power by 0-10 V signals. External start/stop and alarm signals are available on the terminal connector.

Readouts of supply temperature, preset temperature and power are also available as 0–10 V signals.

Notice:

- Boiler power may vary by +5/-10 % due to heating element tolerances.
- Ensure 1 m. clearance over the boiler for service and replacement of elements.
- Connection box for power cables may be installed on right hand (standard) or left hand side.

The boilers are CE marked

TYPE	POWER kW	VOLTAGE 50 Hz 3-PHASE			AMP	REGULATION	DRY WEIGHT KG	WATER VOLUME l	FLANGE SUPPLY/RETURN	DRAIN/ EXPANSION
		230 V	400 V	690 V						
SB 2450	450	●			1130	30 steps	550	310	DN 125/16	G 2"
SB 2500	500	●			1256	30 steps	550	310	DN 125/16	G 2"
SB 2600	600	●			1506	30 steps	550	310	DN 125/16	G 2"
SB 4750	750		●		1082	30 steps	950	622	DN 125/16	G 2"
SB 4800	800		●		1154	30 steps	950	622	DN 125/16	G 2"
SB 4900	900		●		1300	30 steps	950	622	DN 125/16	G 2"
SB 41000	1000		●		1444	30 steps	950	622	DN 125/16	G 2"
SB 41100	1100		●		1588	30 steps	950	622	DN 125/16	G 2"
SB 41200	1200		●		1732	30 steps	950	622	DN 125/16	G 2"
SB 6750	750			●	628	30 steps	950	622	DN 125/16	G 2"
SB 6800	800			●	670	30 steps	950	622	DN 125/16	G 2"
SB 6900	900			●	752	30 steps	950	622	DN 125/16	G 2"
SB 61000	1000			●	836	30 steps	950	622	DN 125/16	G 2"
SB 61100	1100			●	920	30 steps	950	622	DN 125/16	G 2"
SB 61200	1200			●	1004	30 steps	950	622	DN 125/16	G 2"

Current regulations for safety and electrical systems must always be followed

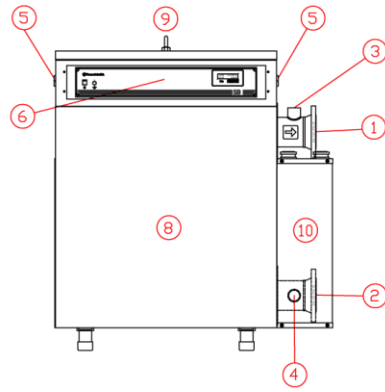
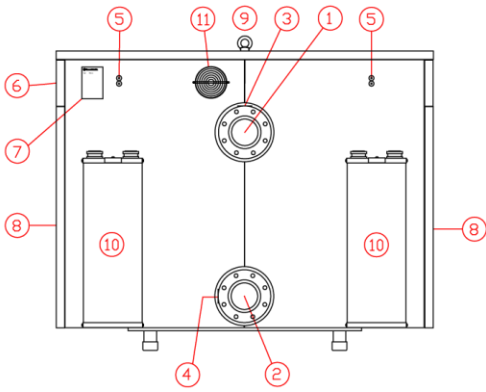
Electrical high power connection boxes

Connection clamps for 35 - 240 mm² Al/Cu cables.
Max terminal current 380/425 A – Al/Cu – 4 conductors/phase.

Inlet for 4 cables – 4 conductors/phase.
No use of N-conductor.

The boilers have two connection boxes which must have equal load.



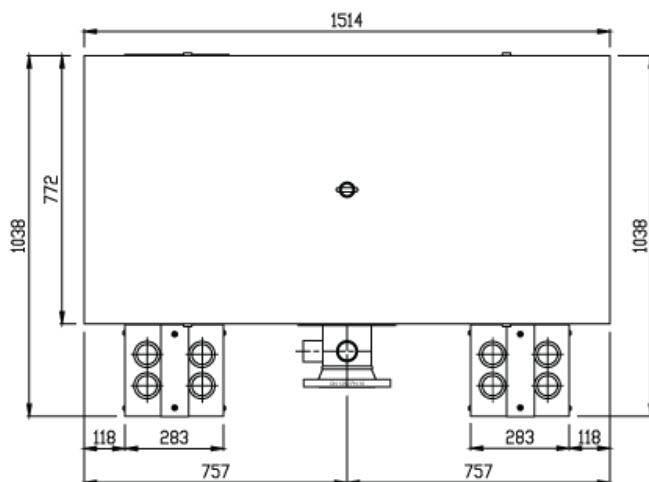
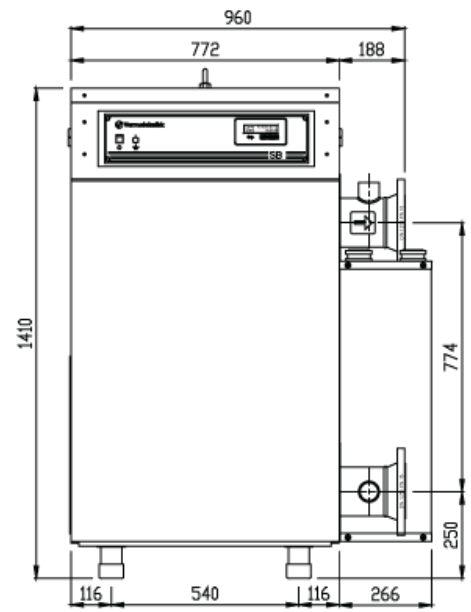
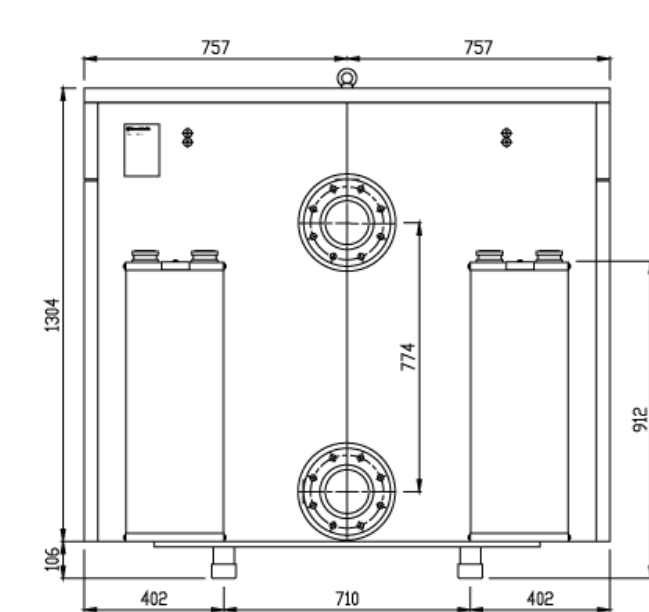


1. Hydraulic outlet DN125 PN16
2. Hydraulic inlet DN125 PN16
3. 2" muff for venting/safety valve
4. 2" muff for drain/expansion
5. Cable inlets for control voltage/signals
6. Control panel
7. Type plate
8. Door
9. Lifting eye/hook
10. Connection box for power cables
11. Cooling fan

NB! The boilers may also be ordered with hydraulic connections on left side.

Dimensions SB2450 – SB2600

All dimensions in mm.

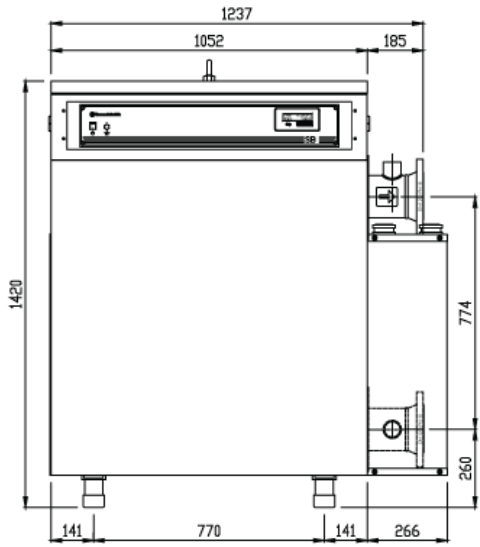
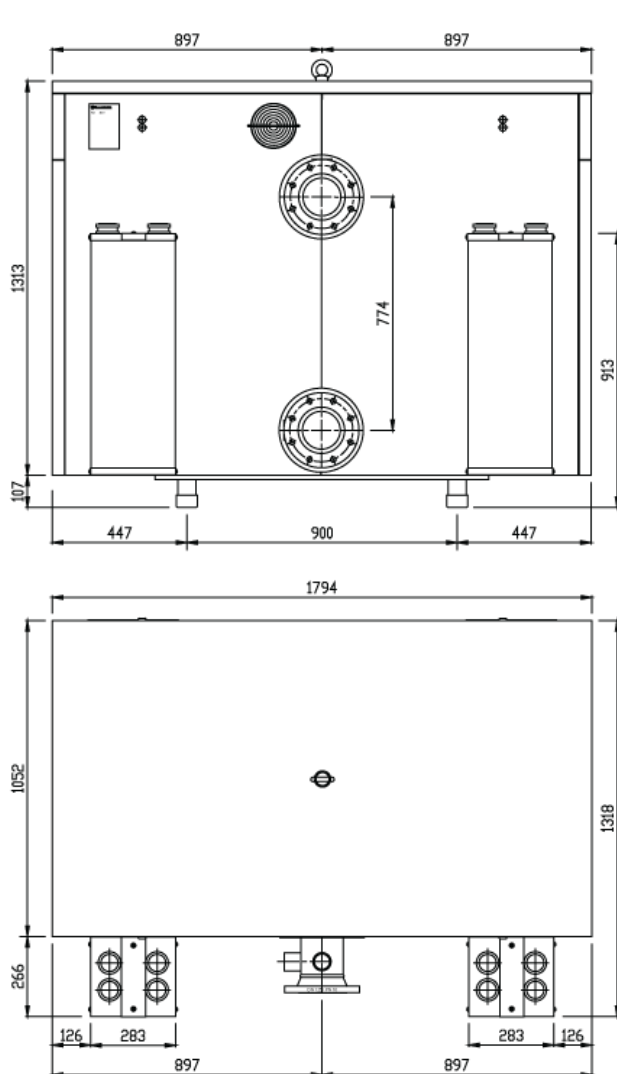


Notice:

Ensure 1 m. clearance over the boiler for service and replacement of elements.

Dimensions SB750 – 1200

All dimensions in mm.



Notice:
Ensure 1 m. clearance over the boiler for service and replacement of elements.