



Light Remote Condenser

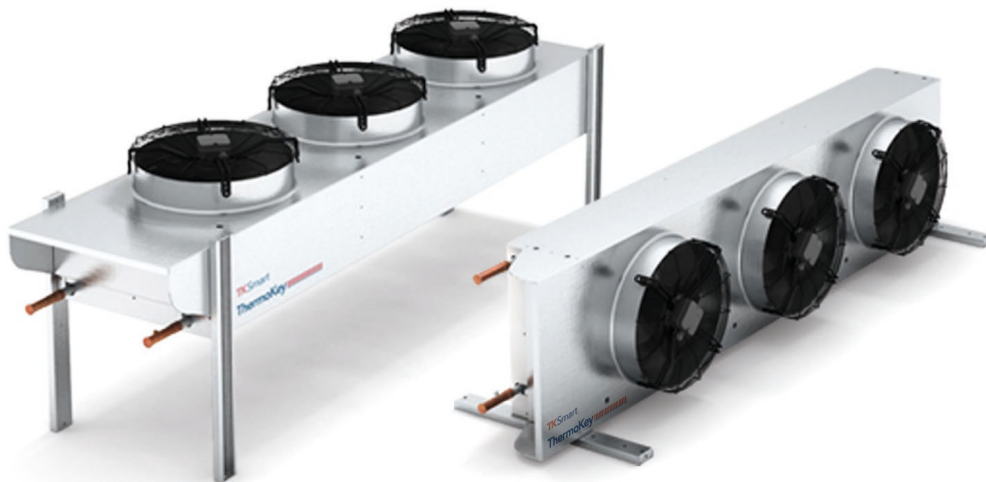
ThermoKey®
Heat Exchange Solutions



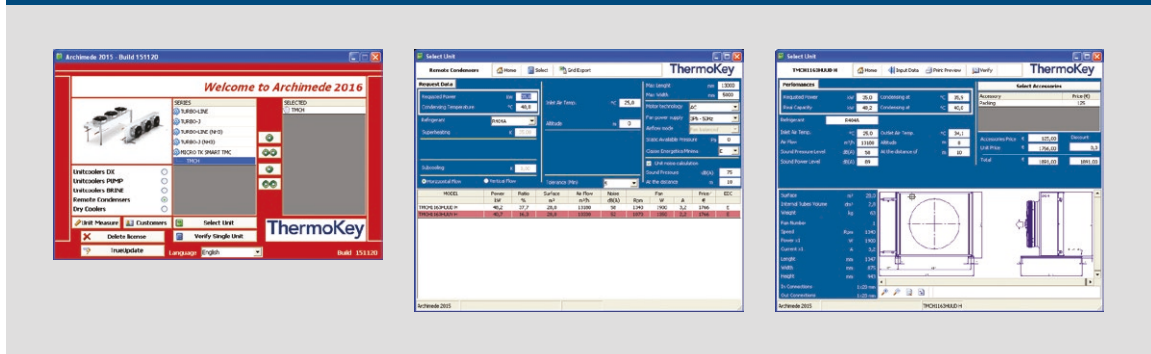
**Intelligence
is 100% aluminium.**



The new range of remote condensers with TKMicro exchanging core. The maximum expression of microchannel technology.



NOW AVAILABLE IN THE LATEST VERSION OF ARCHIMEDE SOFTWARE



It is the new ThermoKey condenser

designed to meet the target market

Its exchanging core is in long-life aluminium alloy

it is a light, easily recyclable and corrosion resistant product

Only standard components

they ensure installation flexibility and a delivery time in 5 working days

All the application needs

it is reliable, low profile and suitable for different conditions and solutions

It is ecological and economical

it uses 60% less refrigerant, it has low cleaning and maintenance costs and an excellent €/kW ratio

It is innovative and flexible

the same model can be installed in vertical or horizontal version with fans for industrial application

Less is more

The new platform has been designed through a series of innovative solutions, that guarantee higher performance and efficiency.

LESS WEIGHT

50% less in weight/capacity ratio
(easier to be moved and installed)

LESS CONSUMPTION

60% less refrigerant charge
(fewer controls according to regulations)

LOWER COSTS

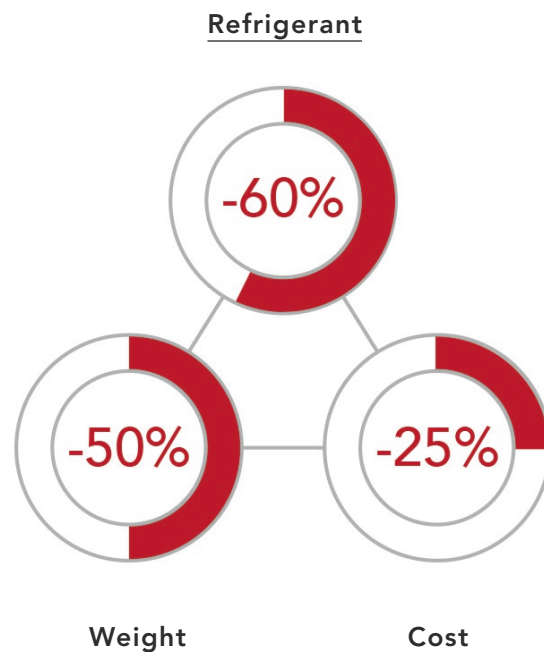
25% less in cost/kw ratio
(less consumption, more efficiency)

LESS ENVIROMENTAL IMPACT

100% recyclable material
(environment friendly)

EFFICIENT TRANSPORT

Lighter and stackable crates
(cost reduction by 30 to 50%)



TECHNICAL DATA

Capacity: 97,8 kw

Length: 2347 mm

Air flow: 26400 m³/h

kW/kg: 0,89

Weight: 110 kg

Delta temperatura: 15°K

Height: 1156 mm

Refrigerant: R404A

TKSmart for food industry

TKSmart has quickly found a perfect application in the food industry.

The food brand Zakład Drobiarskie in Poland, a company that deals with the preparation of poultry meat, has chosen Thermokey for the conditioning of its work rooms.

SOLUTION

2 TKSmart, model TMCH1350HLLDV:

- Unit capacity 68 kw
- Unit weight 105 kg
- Internal refrigerant volume 3,17 dm³

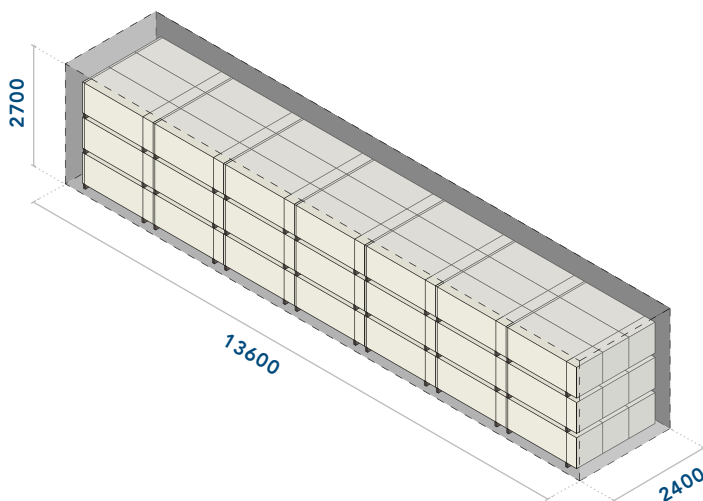
THE COMPANY

Zakład Drobiarski w Stasinie a Mazovia Voivodeship based poultry slaughtering, processing and confectioning plant established in 2007 which has the most modern and recognized equipment at its disposal.

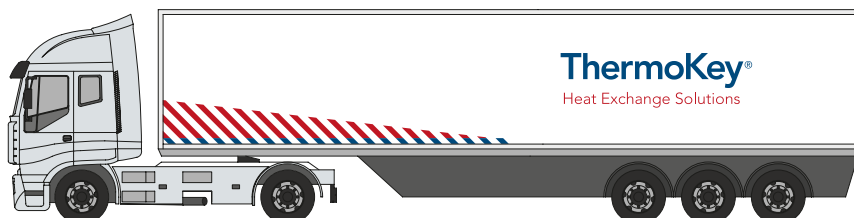
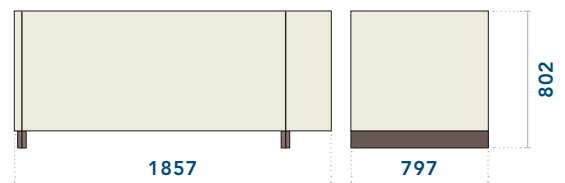
EFFICIENT SERVICE

Thanks to stackable crates it is possible to load more crates allowing the customers to save up to 50% of transport costs.

In a truck 13.6 meters long, we can load up to 63 packages TKSmart, model TMCH1250HLLD.



















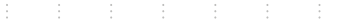




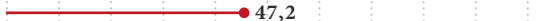
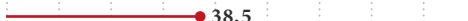
TKSmart, model TMCH1250HLLD



Wide Modularity

The various TKSmart solutions and their combinations create a wide range of models with different features and performances, among which you can choose the most suitable solutions.

The given values have been obtained by considering R404A refrigerant gas and delta temperature 15K.

Model	Fan type	Weight	Volume	Connections		Power range
				IN	OUT	0 
		kg	dm ³	mm	mm	kw
TMCH1140HLLM	230V - 1ph - 50Hz	35	1,6	1x22	1x22	 13,4
TMCH1240HLLM	230V - 1ph - 50Hz	65	2,4	1x22	1x22	 27,2
TMCH1340HLLM	230V - 1ph - 50Hz	95	3,2	1x28	1x28	 41,1
TMCH1150HLLD	400V - 3ph - 50Hz(A)	38,5	1,6	1x22	1x22	 22,1
TMCH1150HLLY	400V - 3ph - 50Hz(Y)	38,5	1,6	1x22	1x22	 17,6
TMCH1150HLLM	230V - 1ph - 50Hz	38,5	1,6	1x22	1x22	 21,8
TMCH1250HLLD	400V - 3ph - 50Hz(A)	72	2,4	1x22	1x22	 45,6
TMCH1250HLLY	400V - 3ph - 50Hz(Y)	72	2,4	1x22	1x22	 35,7
TMCH1250HLLM	230V - 1ph - 50Hz	72	2,4	1x22	1x22	 44,8
TMCH1350HLLD	400V - 3ph - 50Hz(A)	105,5	3,2	1x28	1x28	 68,5
TMCH1350HLLY	400V - 3ph - 50Hz(Y)	105,5	3,2	1x28	1x28	 54,1
TMCH1350HLLM	230V - 1ph - 50Hz	105,5	3,2	1x28	1x28	 67,9
TMCH1150HUUD	400V - 3ph - 50Hz(A)	56	2,8	1x22	1x22	 29
TMCH1150HUUY	400V - 3ph - 50Hz(Y)	56	2,8	1x22	1x22	 23
TMCH1150HUUM	230V - 1ph - 50Hz	56	2,8	1x22	1x22	 29
TMCH1250HUUD	400V - 3ph - 50Hz(A)	96	4,4	1x28	1x28	 58,8
TMCH1250HUUY	400V - 3ph - 50Hz(Y)	96	4,4	1x28	1x28	 46,3
TMCH1250HUUM	230V - 1ph - 50Hz	96	4,4	1x28	1x28	 58,5
TMCH1163HUUD	400V - 3ph - 50Hz(A)	63	2,8	1x28	1x28	 47,2
TMCH1163HUUY	400V - 3ph - 50Hz(Y)	63	2,8	1x28	1x28	 38,5
TMCH1263HUUD	400V - 3ph - 50Hz(A)	110	4,4	1x28	1x28	 97,8
TMCH1263HUUY	400V - 3ph - 50Hz(Y)	110	4,4	1x28	1x28	 79,6

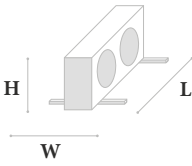
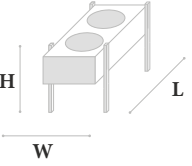
AVAILABLE MODELS

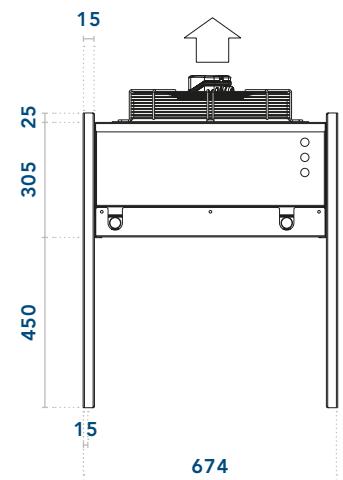
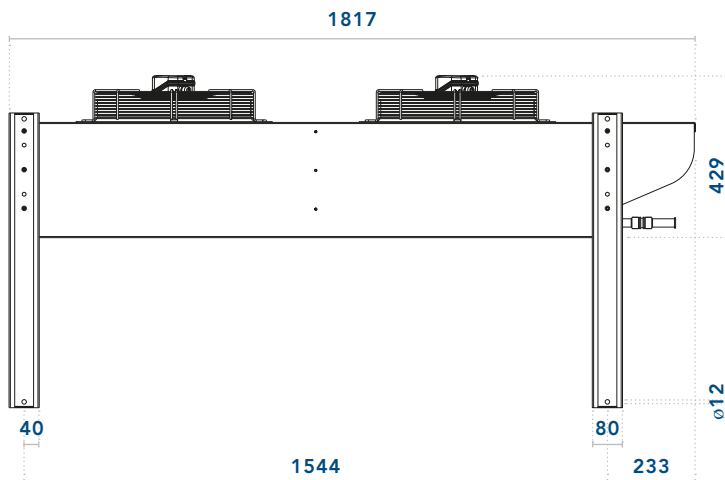
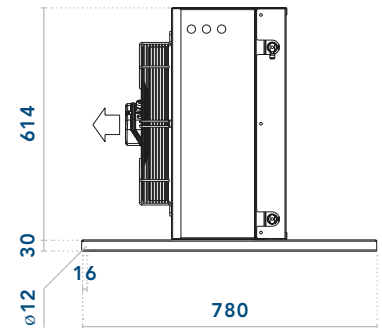
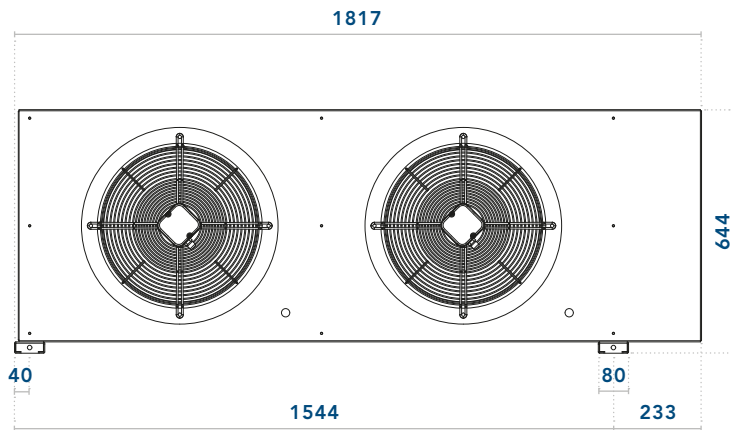
Modularity

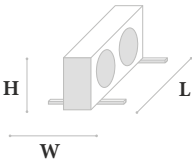
Three fans diameter available (Ø 400, Ø 500, Ø 630), single-phase and three-phase fans, installed on horizontal and vertical modules 600 and 900 mm high.

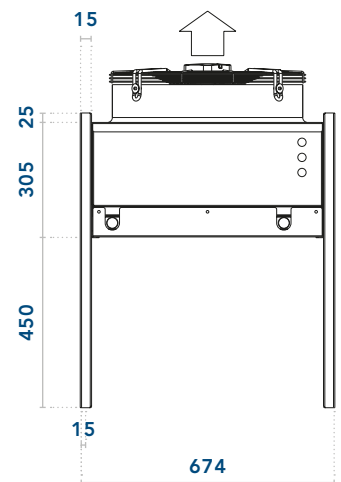
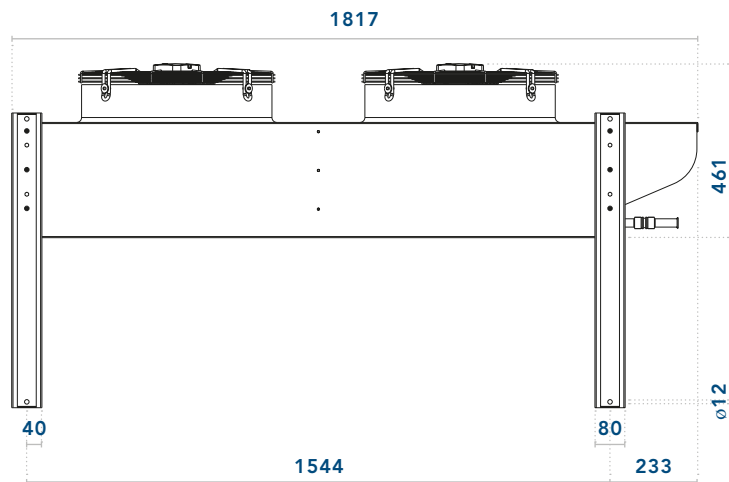
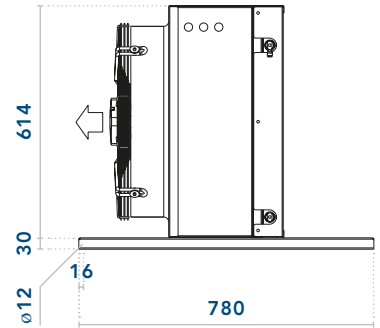
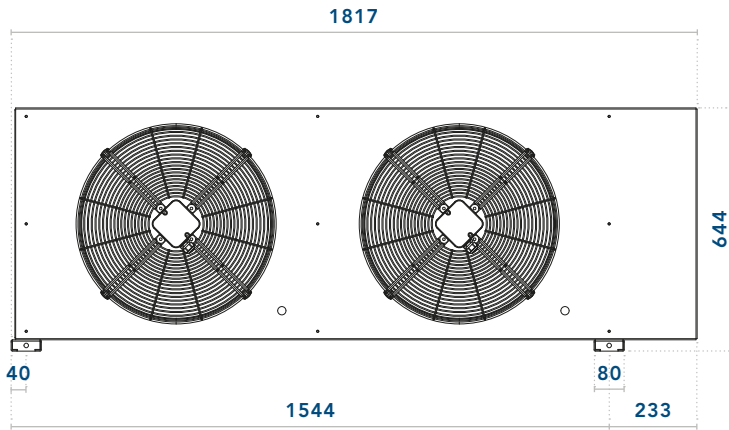
Model TMCH1140HLLM		Model TMCH1150HLLD TMCH1150HLLY TMCH1150HLLM	
Model TMCH1240HLLM		Model TMCH1250HLLD TMCH1250HLLY TMCH1250HLLM	
Model TMCH1340HLLM		Model TMCH1350HLLD TMCH1350HLLY TMCH1350HLLM	
Model TMCH1150HUUD TMCH1150HUUY TMCH1150HUUM		Model TMCH1163HUUD TMCH1163HUUY	
Model TMCH1250HUUD TMCH1250HUUY TMCH1250HUUM		Model TMCH1263HUUD TMCH1263HUUY	

AVAILABLE MODELS

Model		Connection	Size horizontal air flow			Size vertical air flow		
TMCH1140HLLM	Weight 35 kg	IN 1 x 22 mm	W 780 mm			W 674 mm		
	Volume 1,6 dm ³	OUT 1 x 22 mm	H 644 mm			H 879 mm		
TMCH1240HLLM	Weight 65 kg	IN 1 x 22 mm	W 780 mm			L 1067 mm		
	Volume 2,4 dm ³	OUT 1 x 22 mm	H 644 mm			W 674 mm		
TMCH1340HLLM	Weight 95 kg	IN 1 x 28 mm	W 780 mm			L 1817 mm		
	Volume 3,2 dm ³	OUT 1 x 28 mm	H 644 mm			W 674 mm		
			L 2567 mm			L 2567 mm	Scale 1:20	

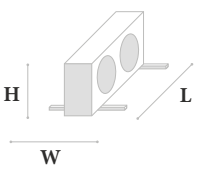
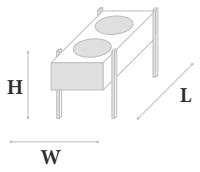


Model	Weight	Connection	Size horizontal air flow		Size vertical air flow	
TMCH1150HLLD TMCH1150HLLY TMCH1150HLLM	38,5 kg	IN 1 x 22 mm	W 780 mm		W 674 mm	
	1,6 dm ³	OUT 1 x 22 mm	H 644 mm		H 911 mm	
TMCH1250HLLD TMCH1250HLLY TMCH1250HLLM	72 kg	IN 1 x 22 mm	W 780 mm		W 674 mm	
	2,4 dm ³	OUT 1 x 22 mm	H 644 mm		H 911 mm	
TMCH1350HLLD TMCH1350HLLY TMCH1350HLLM	105,5 kg	IN 1 x 28 mm	W 780 mm		L 1817 mm	W 674 mm
	3,2 dm ³	OUT 1 x 28 mm	H 644 mm		H 644 mm	H 911 mm
			L 2567 mm		L 2567 mm	
					Scale 1:20	

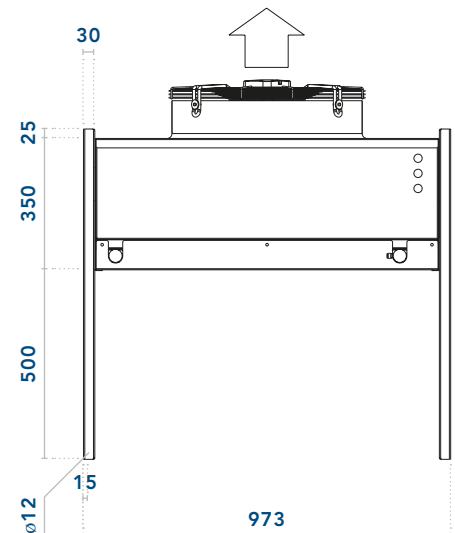
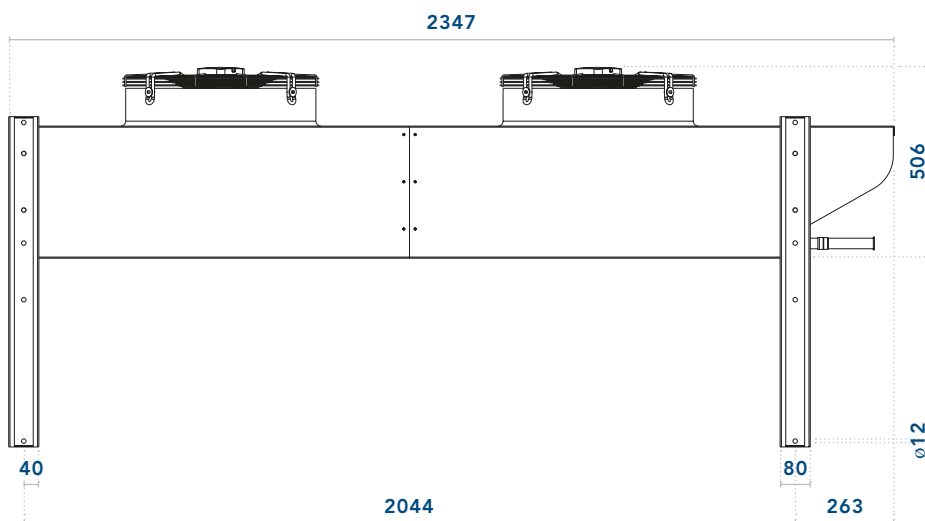
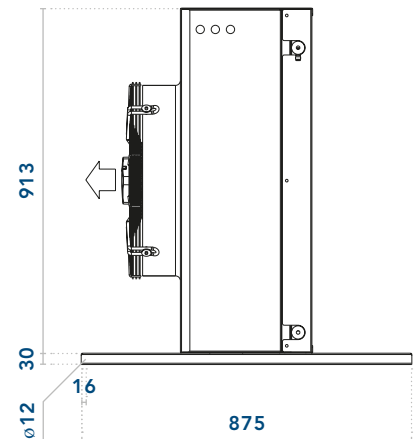
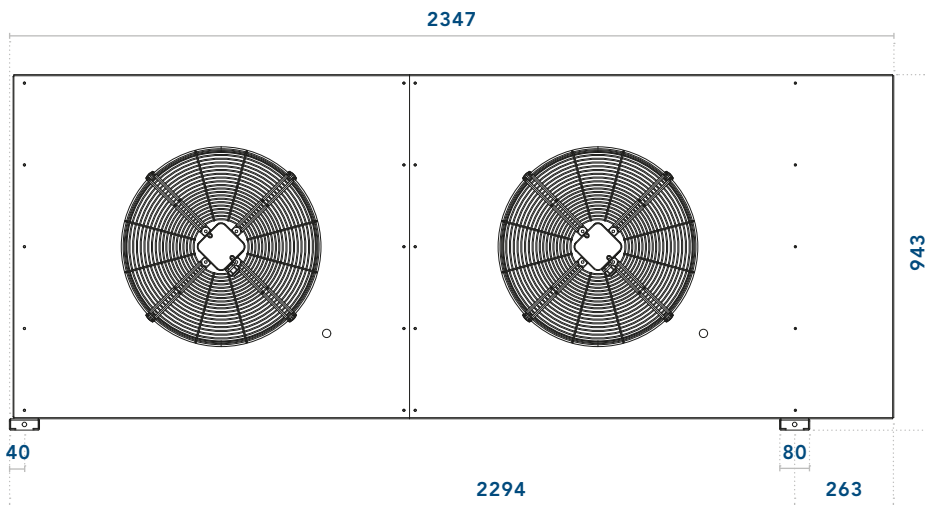


AVAILABLE MODELS

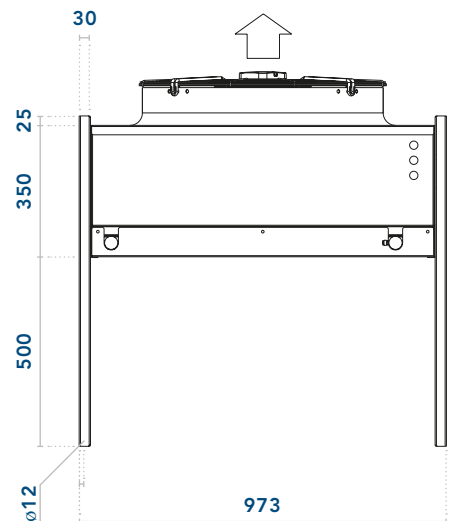
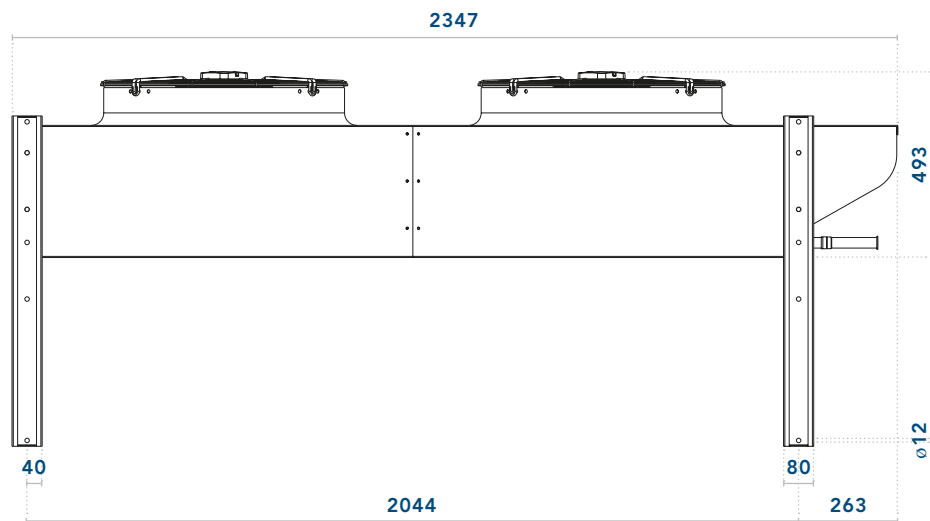
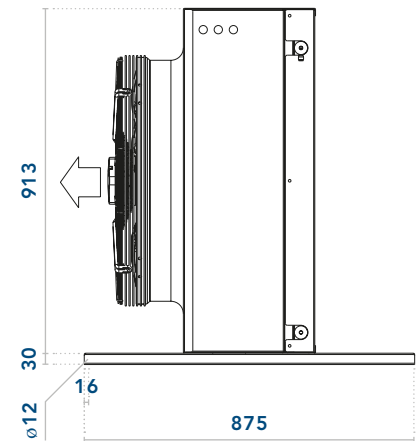
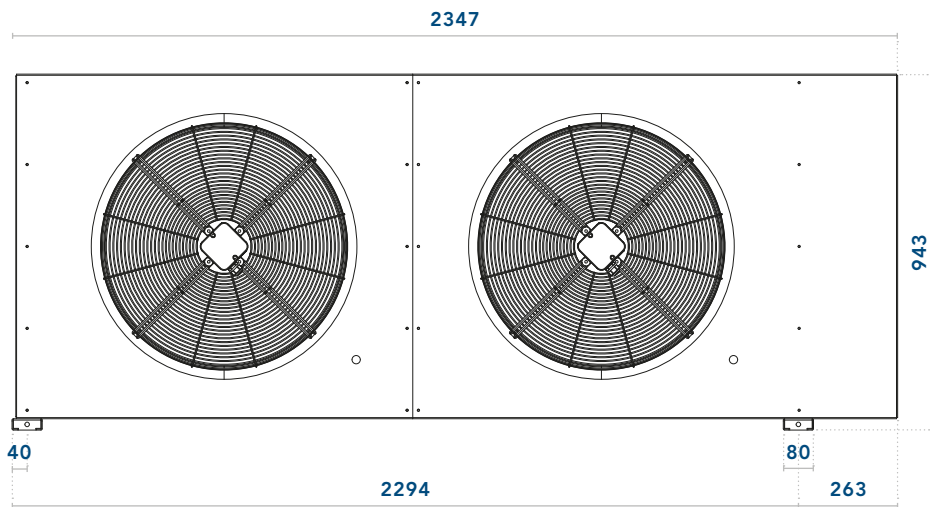
Model	Weight	Volume	Connection	Size horizontal air flow	Size vertical air flow
TMCH1150HUUD	56 kg	2,8 dm ³	IN 1 x 22 mm	W 875 mm	W 973 mm
TMCH1150HUUY			OUT 1 x 22 mm	H 943 mm	H 1006 mm
TMCH1150HUUM				L 1347 mm	L 1347 mm
TMCH1250HUUD	96 kg	4,4 dm ³	IN 1 x 28 mm	W 875 mm	W 973 mm
TMCH1250HUUY			OUT 1 x 28 mm	H 943 mm	H 1006 mm
TMCH1250HUUM				L 2347 mm	L 2347 mm

Scale 1:20



Model	Weight	Connection	Size horizontal air flow	Size vertical air flow
TMCH1163HUUD TMCH1163HUUY	63 kg	IN 1 x 28 mm	W 875 mm	W 973 mm
	2,8 dm ³	OUT 1 x 28 mm	H 943 mm L 1347 mm	H 993 mm L 1347 mm
TMCH1263HUUD TMCH1263HUUY	110 kg	IN 1 x 28 mm	W 875 mm	W 973 mm
	4,4 dm ³	OUT 1 x 28 mm	H 943 mm L 2347 mm	H 993 mm L 2347 mm
Scale 1:20				



T M C H 1 2 50 H U U D H W(l) A

• CONFIGURATION

T Table type

• MICROCHANNEL CORE

• CONDENSER WITH 25 MPE

• SOUND LEVEL

H High noise

• NUMBER OF FAN ROW (ONLY 1)

• NUMBER OF FANS PER ROW

• FAN DIAMETER

40 400 mm

50 500 mm

63 630 mm

• NUMBER OF MICROCHANNEL ROW

• CORE HIGH

L 50T = 604 mm

U 76T = 903 mm

• CORE LENGHT

L 750 mm

U 1000 mm

• FAN CONNECTION

D Delta

Y Star

M Monophase

• AIR FLOW DIRECTION

H Horizontal

V Vertical

• EBOX + MAIN SWITCH

• SHOCK ABSORBER

The logo for TK Micro features the letters 'TK' in a stylized, red, multi-lined font, followed by the word 'Micro' in a clean, white, sans-serif font. The background of the entire page is a close-up, perspective view of a series of parallel, metallic microchannel heat exchanger tubes, creating a strong sense of depth and industrial precision.

TK Micro

The most reliable
and efficient microchannel
on the market



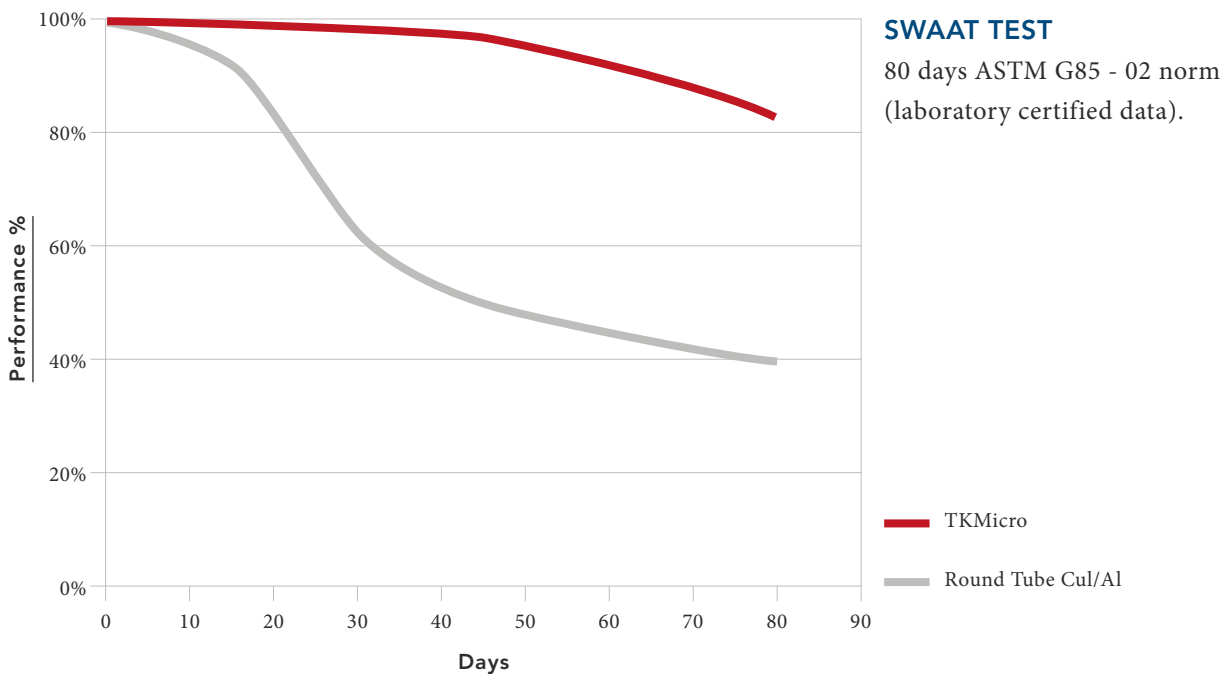
the best solution for HVAC/R

THE THERMOKEY MICROCHANNEL TECHNOLOGY

- The highest resistance of aluminium LLA (Long Life Alloy) to corrosion (Swaat Test over 80 days in accordance with the ASTM G85-02 norm) ensures reliability and performance.
- Thickness and configuration, unique on the market, make it more resistant to vibrations, water hammer and corrosive environments.
- The peculiar header shape reduces the pressure drops on the refrigerant side and allows the use of a single circuit.
- Suitable for all standard refrigerants (R410A, R134a, R22, R407C, R404A, R290, R507A, R245fa ect).
- The low pressure drops of TKMicro cores available in every size (up to 6 meter) allow to satisfy the needs of high-performance chiller manufacturers.
- Easy cleaning and maintenance.
- In case of need ThermoKey can provide a kit for a quick and easy repair to be used directly on site.

More reliability

Constant performance over time even in the most aggressive environments.
Comparison between round tube technology and TKMicro.



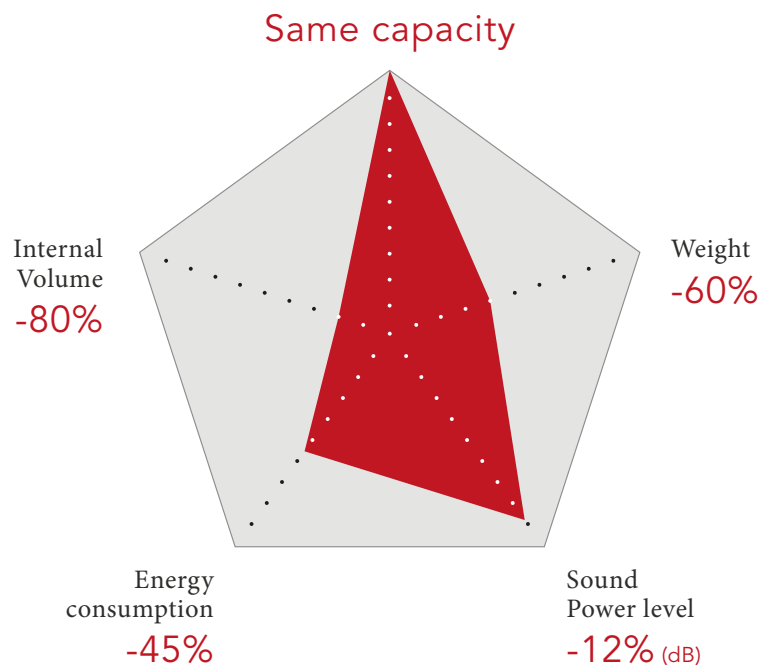
100% ALLOY DETAILS DESIGNED FOR MAXIMUM PERFORMANCE

ThermoKey engineers have optimized the design of all the geometrical details of the 100% alloy cores in order to ensure the best compromise between thermodynamics performance, pressure drops and lightness. These features make ThermoKey cores the most efficient in the market.

Thermodynamics performance, pressure drops and lightness.

More efficiency

In comparison to the top quality 4 rows round tube coil, TKMicro offers great advantages in terms of performance.



PRECONDITIONS

Face Area (H x L)	1.200mm x 2.000mm
Air Flow	25.000 m ³ /h
Delta Temperature	15°C

Direction

Acrobatik

—

Photography

Cover: **Ph. Eugenio Novajra**

—

Printed in Italy by

Grafiche Filacorda

—

TKS0116EN

ThermoKey®

Heat Exchange Solutions

ThermoKey Spa
via dell'Industria, 1 - 33061
Rivarotta di Rivignano Teor (UD) - Italy

T. +39 0432 772300
F. +39 0432 779734
info@thermokey.com
www.thermokey.com

