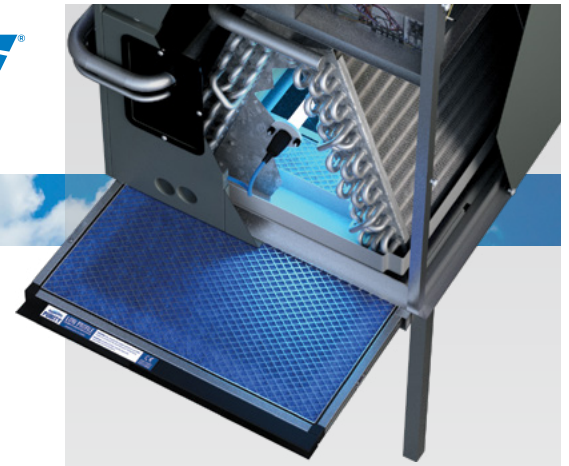


PURITY

LOW PROFILE

FRESH-AIRE UV
The Indoor Air Quality Expert

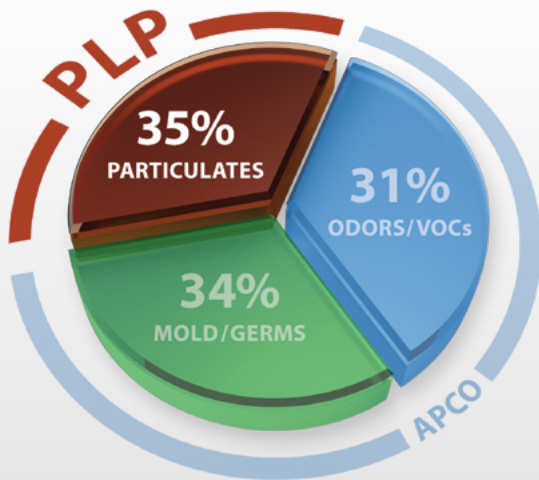


POLARIZED FILTRATION SYSTEM

Conventional HVAC filters only capture the largest particles. Unfortunately, it's the fine particulates that are the greater threat. There are costly filter systems on the market which capture fine particles but they require expensive retrofitting and tend to restrict air-flow, which increases static pressure resulting in reduced HVAC efficiency and energy loss.

- UV-reactive filter media with antimicrobial nanotechnology
- Captures particulates, allergens, pet dander, dust mites, spores, etc.
- 97% effective capturing particles down to .3 microns (.00001 inch)
- Low-cost media replacement (*3-6 months on average)
- Fits standard 1" filter slot
- Helps to reduce odors and VOCs
- Lifetime system warranty

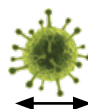
Purity Low Profile captures particulates of all sizes (down to an incredibly small 0.1 microns). It uses an electro-static charge to attract and clump particles together making them easier to capture without restricting air-



Airborne contaminants can be divided roughly into thirds. PLP captures particulates much more efficiently than conventional filters.



DUST MITE
10 microns



VIRUS
2 microns

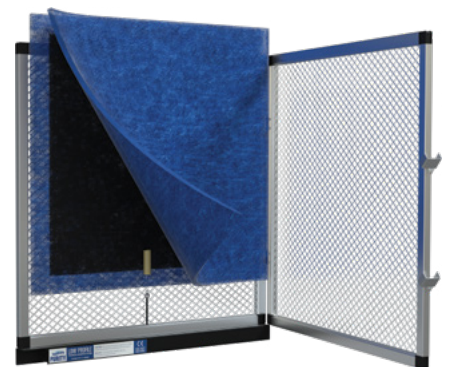
PLP CAPTURES

COARSE PARTICLES (<10 microns)

- Bacteria
- Dust & dirt
- Dust mites & debris
- Mold spores
- Pet dander
- Pollen

FINE PARTICLES (<2.5 microns)

- Atmospheric dust
- Pet allergens
- Smog
- Soot
- Tobacco smoke
- Viruses



PLP filter media is safe for use with germicidal UV lights. Most HVAC filters are not.

PURITY

LOW PROFILE



The Indoor Air Quality Expert



PLP FILTER ORDER FORM

To order PLP filters start by determining the size. Filters can be ordered by NOMINAL or ACTUAL SIZE. NOMINAL size is determined by measuring the space the filter fits in, ACTUAL size is determined by measuring the filter itself, generally 3/8" less than NOMINAL in both dimensions. So if the NOMINAL size is 20" x 20", the ACTUAL size of the filter itself is 19 5/8" x 19 5/8".

Specify NOMINAL or ACTUAL size

NOMINAL

ACTUAL

Width Height

REQUESTED BY

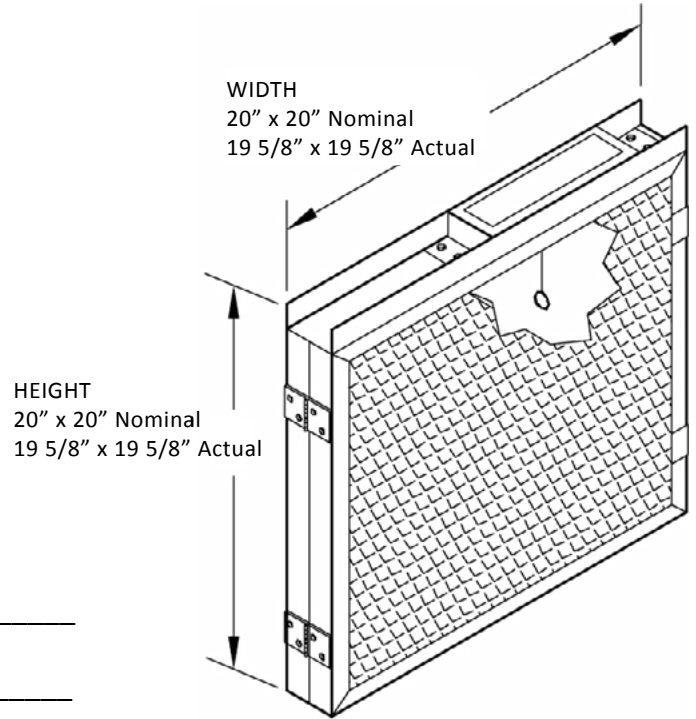
Name _____

Company _____

Phone _____

Email _____ City _____ State _____

Specifications	
Performance	97% @ 0.3 micron
Pressure Drop	0.12" @ 300 FPM
Dimensions	<3/8" of filter size x 1" deep
Electrical	24VAC, 0.07amps, 1.5VA, 50/60 Hz
Warranty	Lifetime all parts except media
Part#	TUV-PLP-XXYY
Replacement Media	TUV-PLPM-1-XXYY



WWW.FRESH-AIREUV.COM

SALES@FRESH-AIREUV.COM 800-741-1195

Cooke Industries - Phone: +64 9 579 2185 Email: sales@cookeindustries.co.nz Web: www.cookeindustries.co.nz

DESIGNED & ASSEMBLED IN THE U.S.A.

TUV-PLP-SPECS 100121