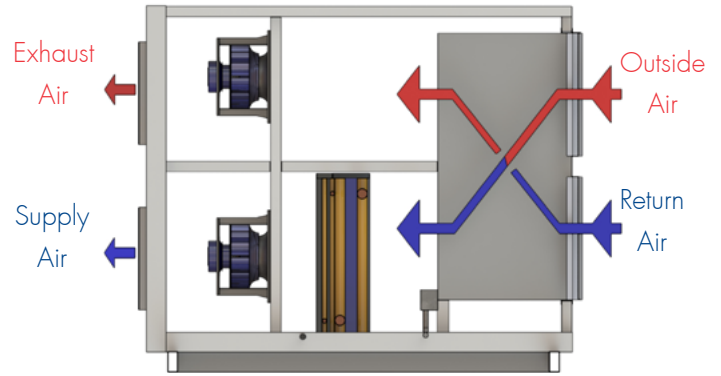


## ERV550-ECP

### Technical Data



Contact your Air Change representative for a psychrometric unit selection

Airflow	
Supply Air	550l/s (nominal)
Exhaust Air	550l/s (nominal)

Air-to-Air Heat Exchanger*	
HEX Type	Counterflow Plate
HEX Media	Sensible-only or Enthalpy

CHW Coil (Optional)	
Design	As per project requirements
Protective Coating	Epoxy

HHW Coil (Optional)	
Design	As per project requirements
Protective Coating	Epoxy

Fans (Nominal Selection)	
Type	EC Plug
Total Fans	x1
Nominal Power	2.5kW
Fan Diameter	310mm
Fan Speed (max.)	3450RPM
Motor Efficiency Class	IE4
Ingress Protection Class	IP54
Impeller Construction	Non-metallic Composite
Speed Control	Integrated Constant Volume Control or via External Speed Signal

### Fans (Nominal Selection)

Type	EC Plug
Total Fans	x1
Nominal Power	2.5kW
Fan Diameter	310mm
Fan Speed (max.)	3450RPM
Motor Efficiency Class	IE4
Ingress Protection Class	IP54
Impeller Construction	Non-metallic Composite
Speed Control	Integrated Constant Volume Control or via External Speed Signal

### Cabinet

Weatherproof	Yes
Panel Construction	50mm PIR Sandwich Panel (FM Approved 4880/4881 - Class 1)
Panel Finish	Colorbond "Surfmist"
Panel R-Value	2.63 K.m <sup>2</sup> /W
Panel Joiner Material	UV Resistant Polymer
Base Frame	Galvanised Steel with Lifting Lugs
Anti-corrosion Treatment	Optional
Filter Section	Not included (filters to be mounted in RA & OA ductwork)

### Operating Modes

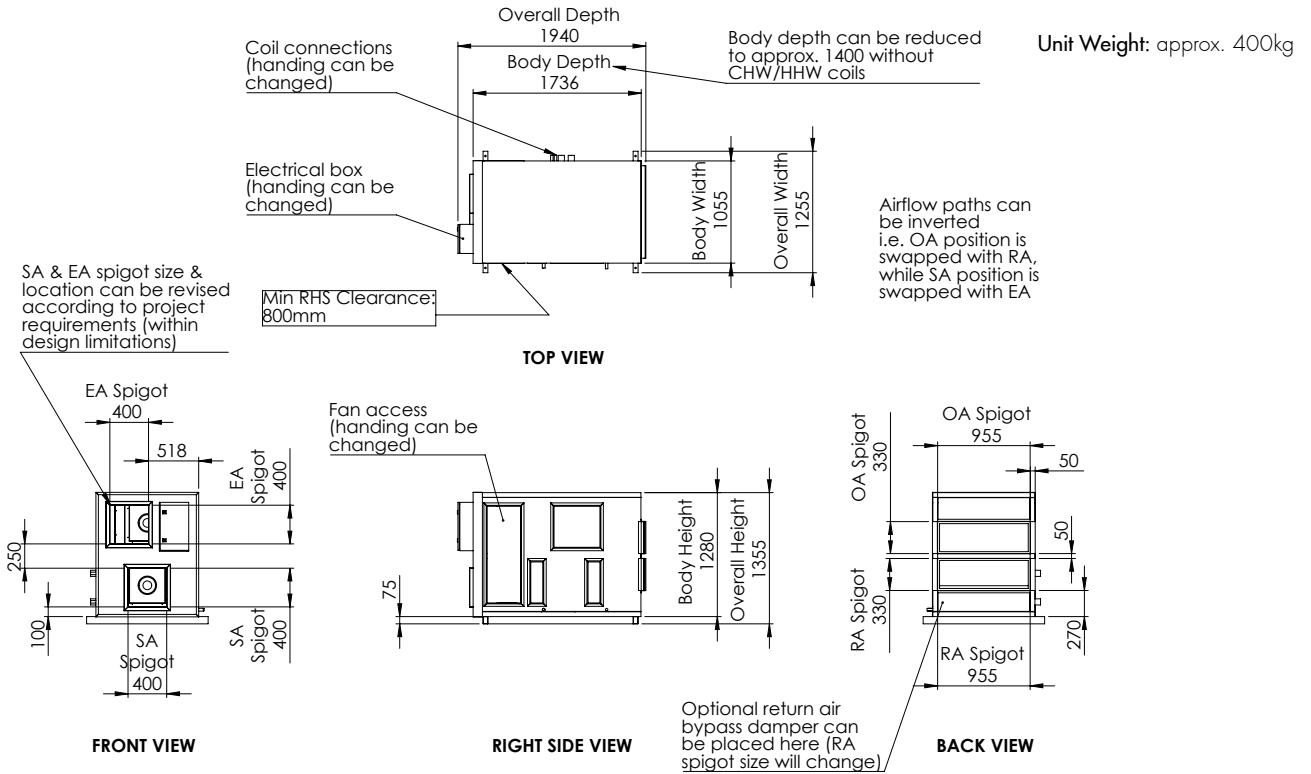
Energy Recovery	Default
Economy Cycle	HEX Bypass for Free Cooling (optional)
Return Air Bypass	HEX Bypass for Recirculation (optional)

\* The plate heat exchangers are designed to operate to a maximum 300Pa pressure differential (inlet condition) between primary and secondary air streams.

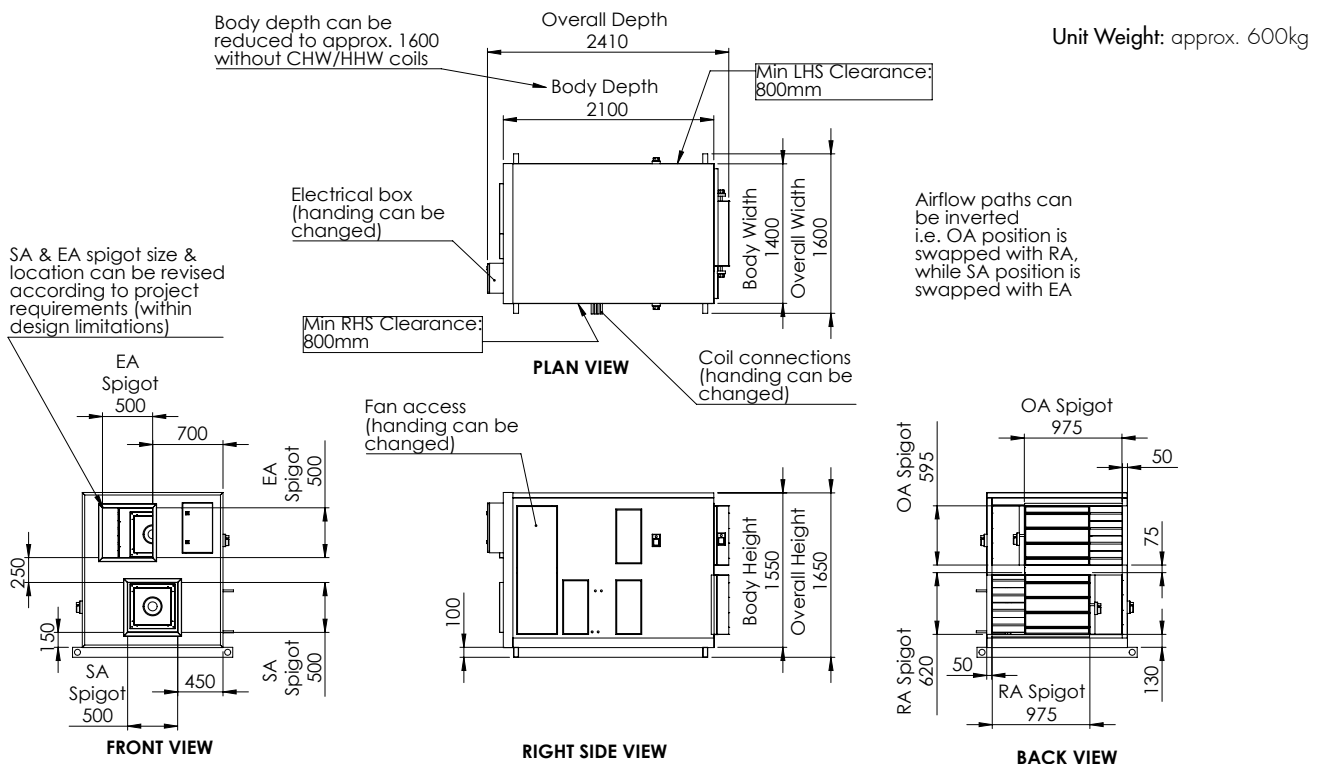
# ERV550-ECP

## Dimensions

**Dimensions (without Economy Cycle Option)\***



**Dimensions (with Economy Cycle Option)\***

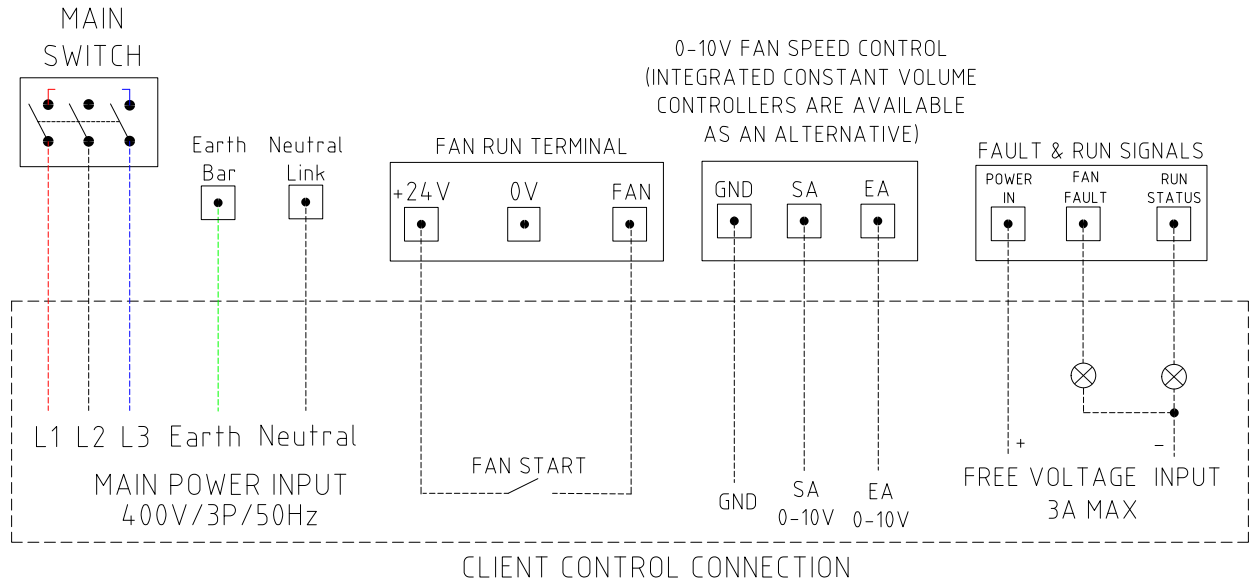


\* Dimensions and weight are subject to change, depending on project requirements. Refer to project certified drawings for finalised details.

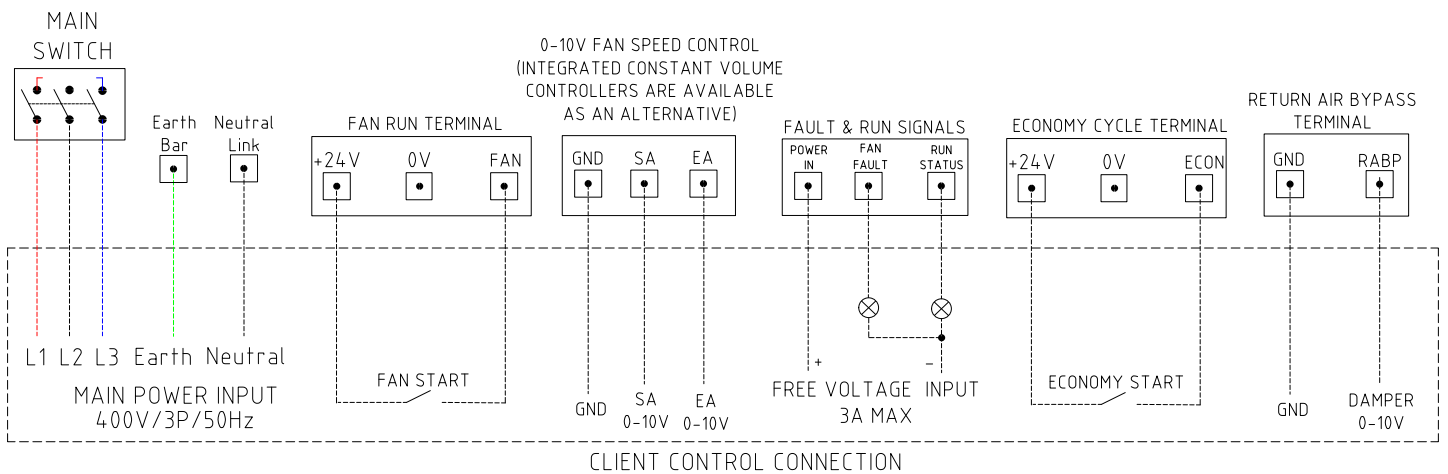
## ERV550-ECP

### Electrical

#### Wiring Diagram (without Economy Cycle and Return Air Bypass Modes)\*



#### Wiring Diagram (with Economy Cycle and Return Air Bypass Modes)\*



#### Electrical Input †

<b>Voltage / Phases / Frequency</b>	415V / 3ph / 50Hz
<b>Full Load Amps</b>	9A

\* Connection details are subject to change, depending on project requirements. Refer to project certified electrical diagrams for finalised details.

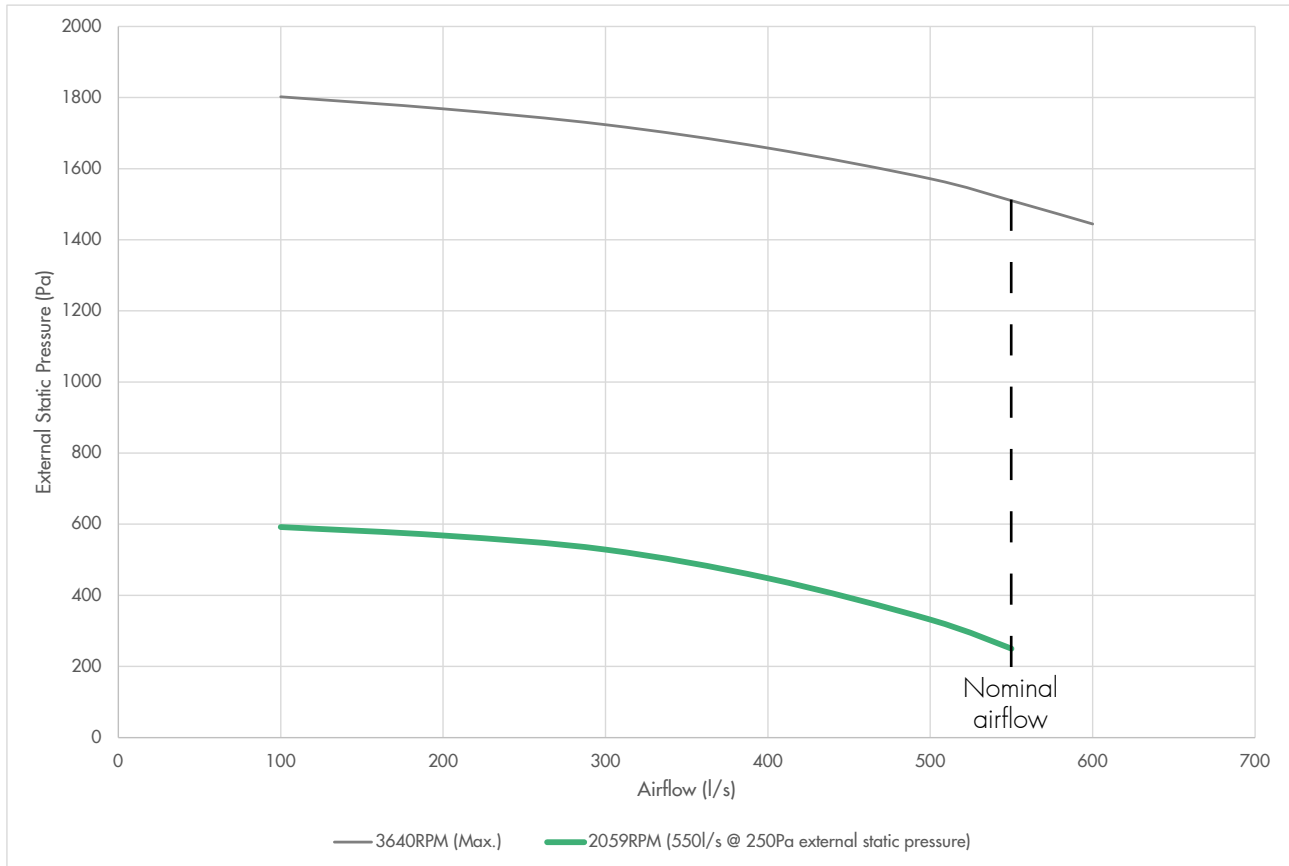
† Unit electrical input is subject to change, depending on project requirements. Refer to project certified electrical diagrams for finalised details.

## ERV550-ECP

### Airflow & Noise



#### Supply Air Fan Curve\*



Supply Air Fan Power (550l/s @ 250Pa External Static Pressure)*	
<b>Absorbed Power</b>	0.48kW

\* Fan curve makes allowance for internal pressure drop of unit (incl. CHW & HHW coils). This pressure drop is subject to change, depending on project requirements. Supply air fan selection options are available.



#### Supply Air Fan Acoustics (Sound Power)†

550l/s @ 250Pa External Static Pressure									
Inlet									
Frequency (Hz)	sum	63	125	250	500	1000	2000	4000	8000
A-weighted (dB)	69	37	46	59	64	63	63	59	53
Non A-weighted (dB)	72	62	61	67	67	63	62	58	54
Outlet									
Frequency (Hz)	sum	63	125	250	500	1000	2000	4000	8000
A-weighted (dB)	77	38	48	63	67	73	72	67	60
Non A-weighted (dB)	78	63	64	71	70	72	71	66	61

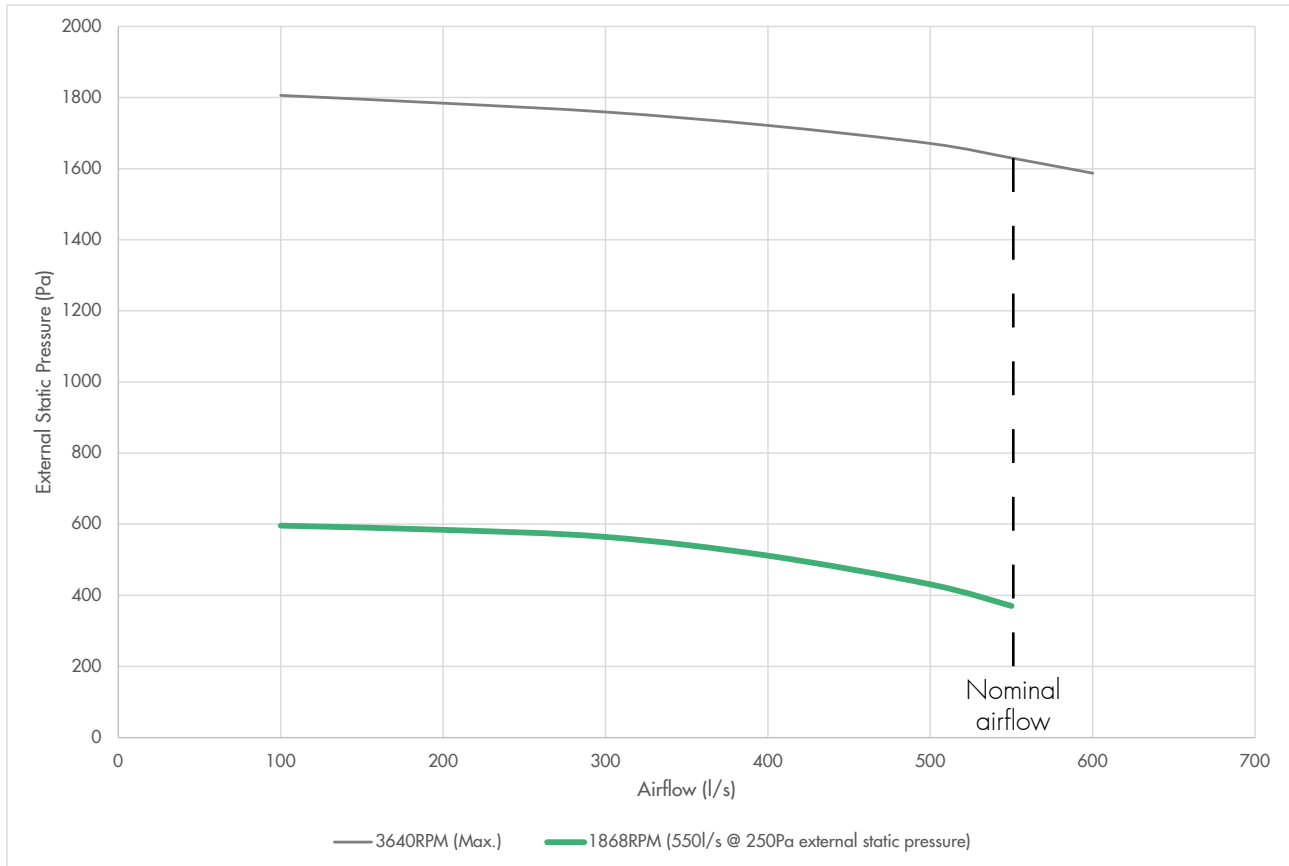
† Noise data considers supply air fans only, without attenuation by the cabinet.

## ERV550-ECP

### Airflow & Noise



#### Exhaust Air Fan Curve\*



Exhaust Air Fan Power (550l/s @ 250Pa External Static Pressure)*	
<b>Absorbed Power</b>	0.38kW

\* Fan curve makes allowance for internal pressure drop of unit. This pressure drop is subject to change, depending on project requirements. Exhaust air fan selection options are available.



#### Exhaust Air Fan Acoustics (Sound Power)†

550l/s @ 250Pa External Static Pressure									
<b>Inlet</b>									
Frequency (Hz)	sum	63	125	250	500	1000	2000	4000	8000
A-weighted (dB)	68	33	45	58	63	61	61	57	52
Non A-weighted (dB)	71	59	60	66	66	61	60	56	53
<b>Outlet</b>									
Frequency (Hz)	sum	63	125	250	500	1000	2000	4000	8000
A-weighted (dB)	75	34	48	61	66	71	70	65	58
Non A-weighted (dB)	76	59	62	70	69	71	69	64	59

† Noise data considers exhaust air fans only, without attenuation by the cabinet.