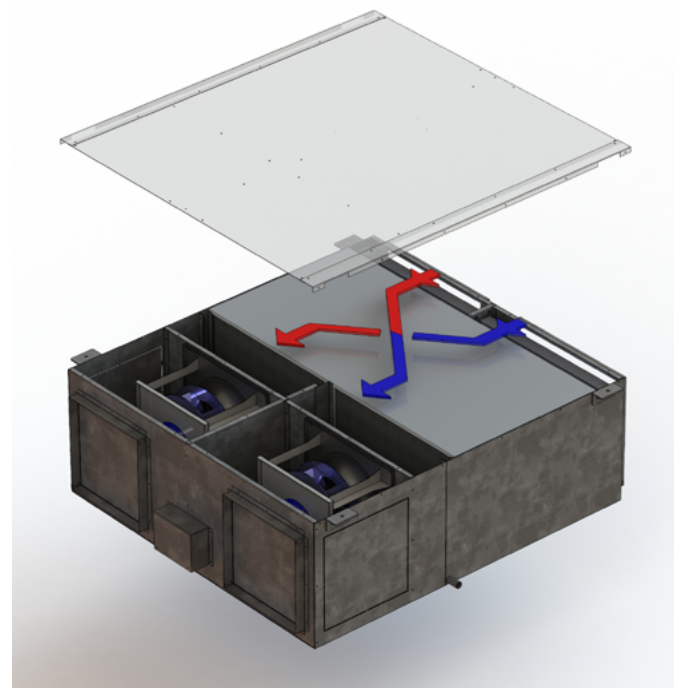
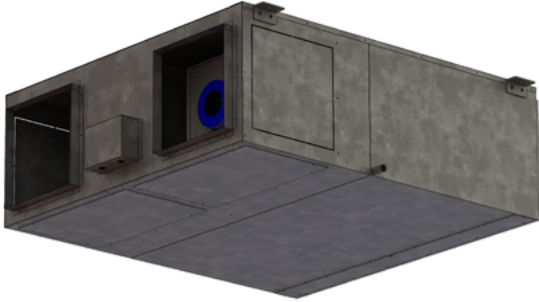


ERV-IC 600-ECP

Technical Data



Contact your Air Change representative for a psychrometric unit selection

Airflow	
Supply Air	600l/s (nominal)
Exhaust Air	600l/s (nominal)
Outside Air	100%

Fans	
Type	EC Plug
Total Fans	x1
Nominal Power	2.5kW
Fan Diameter	310 mm
Fan Speed (max.)	3640RPM
Motor Efficiency Class	IE4
Ingress Protection Class	IP54
Speed Control	External 0-10V Signal or Potentiometer Controller

Fans	
Type	EC Plug
Total Fans	x1
Nominal Power	2.5kW
Fan Diameter	310mm
Fan Speed (max.)	3640RPM
Motor Efficiency Class	IE4
Ingress Protection Class	IP54
Speed Control	External 0-10V Signal or Potentiometer Controller

Air-to-Air Heat Exchanger	
HEX Type	Counterflow Plate
HEX Media	Sensible-only or Enthalpy

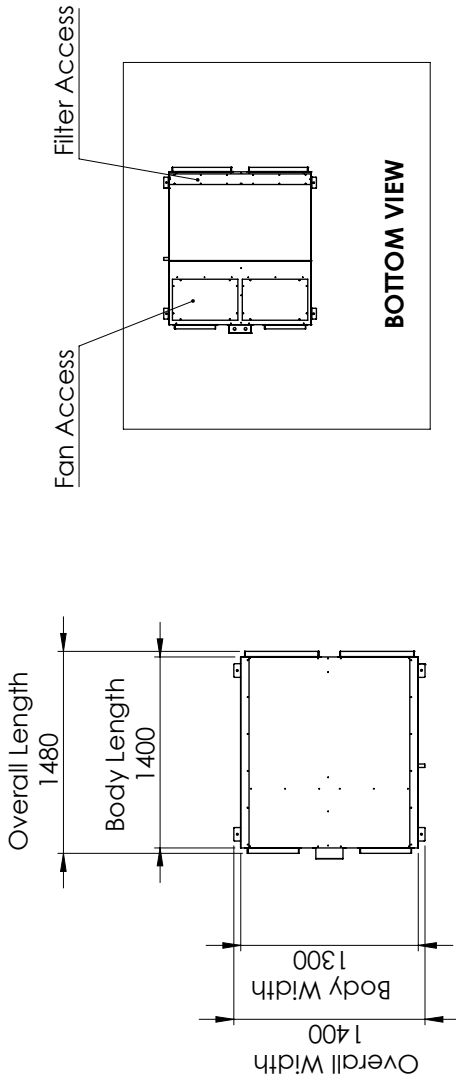
Electrical & Controls	
Electrical Input	415V / 3ph / 50Hz
Full Load Amps	7.6A
Control	Low Level Interface

Construction	
Weatherproof	No
Casing	Galvanised Sheetmetal
Insulation	12mm Polyurethane Film Faced Foam
Internal Drain Tray	Incl. with Sensible-only HEX option
Internal Filters	Panel Filters included
Filter Quantity	x2
Filter Size (W x H x D)	635 mm x 475 mm x 50mm
Filtration Grade	G4

ERV-IC 600-ECP

Technical Data

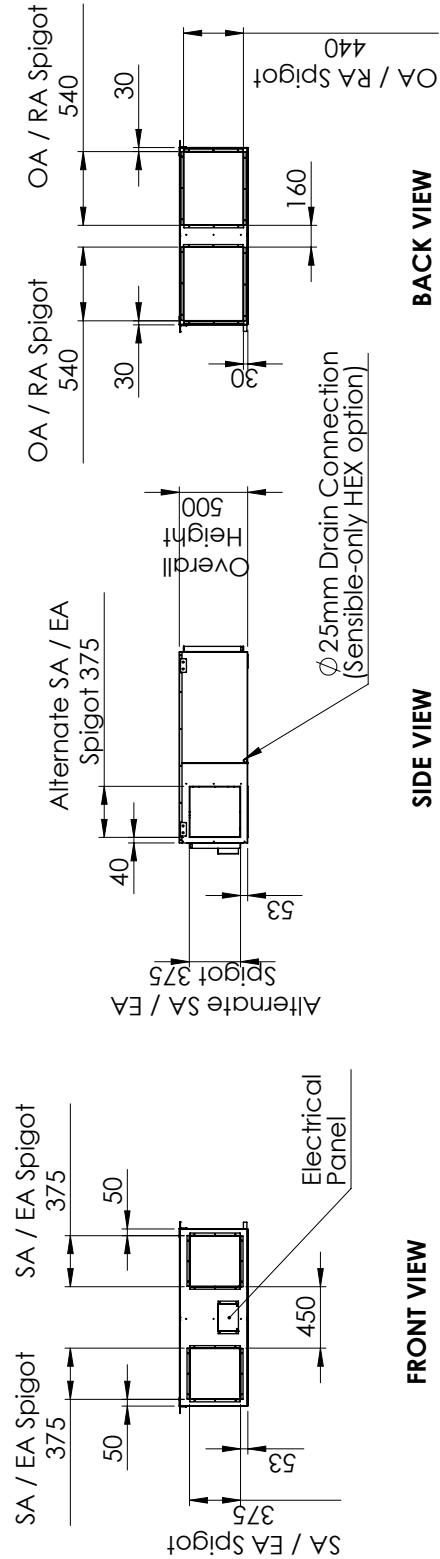
Dimensions



Note: Unit must be configured so that the SA Spigot is diagonally opposite to the OA Spigot, and the EA Spigot is diagonally opposite to the RA Spigot.

PLAN VIEW

BOTTOM VIEW



FRONT VIEW

SIDE VIEW

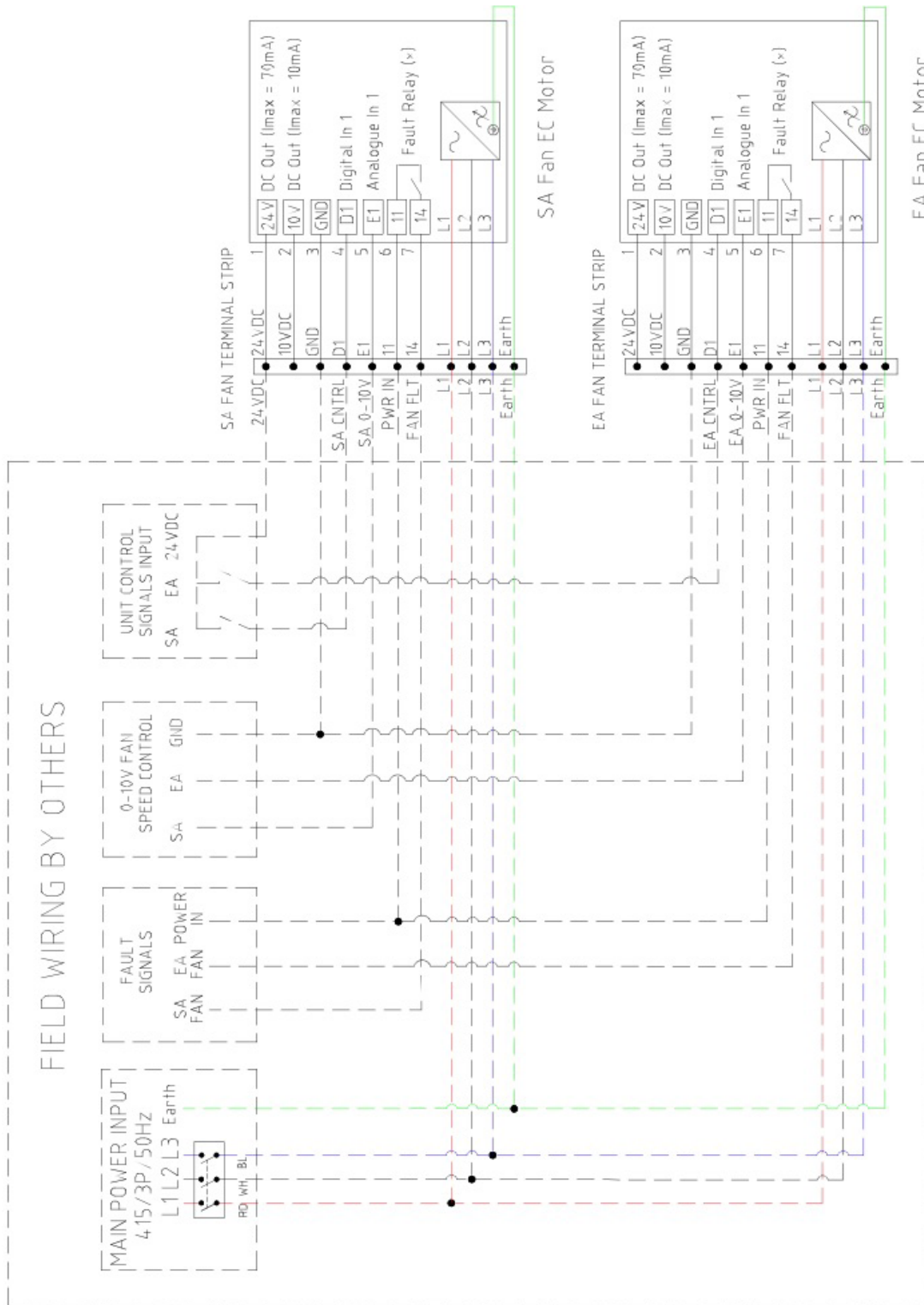
BACK VIEW

Unit Weight: 220kg

ERV-IC 600-ECP

Technical Data

Wiring Diagram

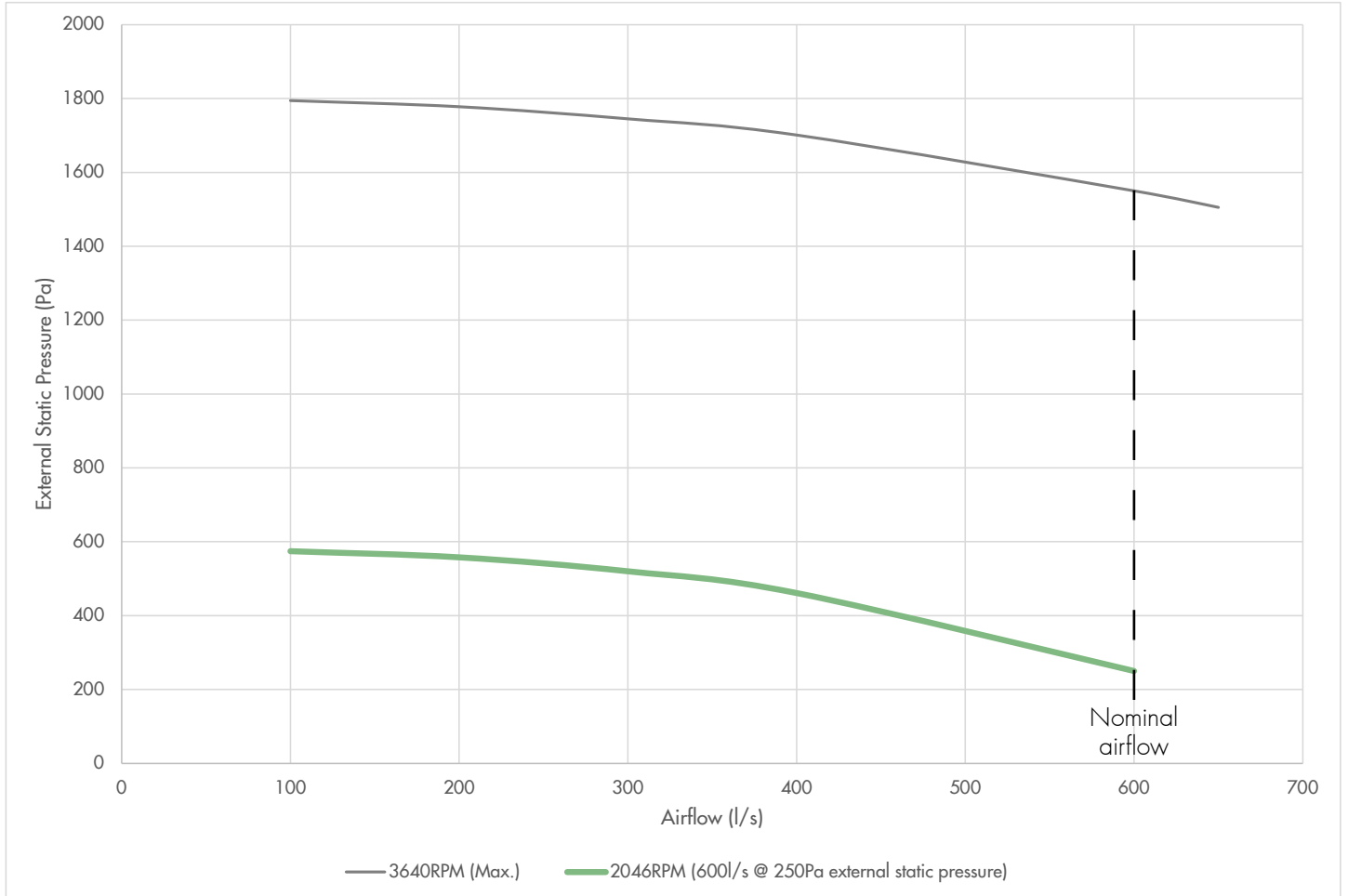


Air Change Australia Pty Ltd accept no responsibility for possible errors in catalogues, brochures and other printed material.
 Air Change Australia Pty Ltd reserves the right to alter its products without notice. © Air Change Australia Pty Ltd 2018.
 ERVIC600TECHAU01.01

ERV-IC 600-ECP

Technical Data

Supply / Exhaust Air Fan Curve



Fan Absorbed Power (600l/s @ 250Pa external static pressure): 475W

Supply / Exhaust Air Fan Acoustics (Sound Power)[†]

600/s @ 250Pa External Static Pressure									
Inlet									
Frequency (Hz)	sum	63	125	250	500	1000	2000	4000	8000
A-weighted (dB)	69	35	45	59	64	63	63	59	53
Non A-weighted (dB)	72	61	61	67	67	63	62	58	55
Outlet									
Frequency (Hz)	sum	63	125	250	500	1000	2000	4000	8000
A-weighted (dB)	77	36	48	63	67	73	72	66	60
Non A-weighted (dB)	78	62	63	71	70	73	71	65	61

[†] Noise data considers supply / exhaust air fans individually, without attenuation by the cabinet.