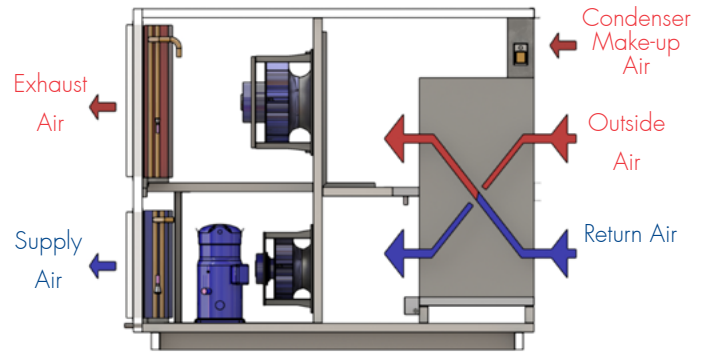
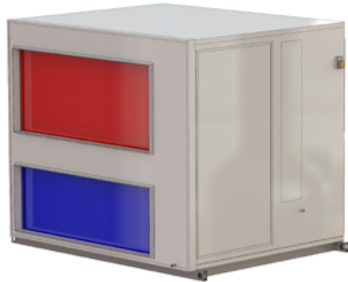


ACL65RCRTP

Technical Data



Contact your Air Change representative for a psychrometric unit selection

Airflow

| | |
|------------------------|-------------------|
| Supply Air | 2800l/s (nominal) |
| Return Air | 2800l/s (nominal) |
| Outside Air | 100% |
| Condenser Make-up Air | 3000/s |
| Exhaust Air (RA + CMA) | 5800l/s (nominal) |

Refrigeration

| | |
|------------------|--|
| Reverse Cycle | Yes |
| Cooling Capacity | 65kW _r (nominal) |
| Heating Capacity | 85kW _r (nominal) |
| Compressor Type | Dual Stage DOL (standard) BLDC Inverter (optional) |
| Refrigerant | R-407C (Single Stage DOL) R-410A (BLDC Inverter option) |

Air-to-Air Heat Exchanger*

| | |
|-----------|------------------------------|
| HEX Type | Air-to-Air Counterflow Plate |
| HEX Media | Enthalpy or Sensible-Only |

Fans (Nominal Selection)

| | |
|--------------------------|--|
| Type | EC Plug |
| Total Fans | x2 |
| Nominal Power | 2.5kW (each) |
| Fan Diameter | 350mm |
| Fan Speed (max.) | 2970RPM |
| Motor Efficiency Class | IE4 |
| Ingress Protection Class | IP54 |
| Impeller Construction | Non-metallic Composite |
| Speed Control | Integrated Constant Volume Control or via External Speed Signal |

Fans (Nominal Selection)

| | |
|--------------------------|--|
| Type | EC Plug |
| Total Fans | x2 |
| Nominal Power | 5kW (each) |
| Fan Diameter | 560mm |
| Fan Speed (max.) | 1750RPM |
| Motor Efficiency Class | IE4 |
| Ingress Protection Class | IP54 |
| Impeller Construction | Non-metallic Composite |
| Speed Control | Integrated Constant Volume Control or via External Speed Signal |

Electrical & Controls

| | |
|------------------|---|
| Electrical Input | 415V / 3ph / 50Hz |
| Full Load Amps | Refer to electrical page |
| Controls | Low Level Interface (standard) ClimaSync Control System (optional) |

Cabinet

| | |
|-----------------------|--|
| Weatherproof | Yes |
| Panel Construction | 50mm PIR Sandwich Panel (FM Approved 4880/4881 - Class 1) |
| Panel Finish | Colorbond "Surfmist" |
| Panel R-Value | 2.63 K.m ² /W |
| Panel Joiner Material | UV Resistant Polymer |
| Base Frame | Galvanised Steel with Lifting Lugs |
| Filter Section | Not included (filters to be mounted in RA & OA ductwork) |

Operating Modes

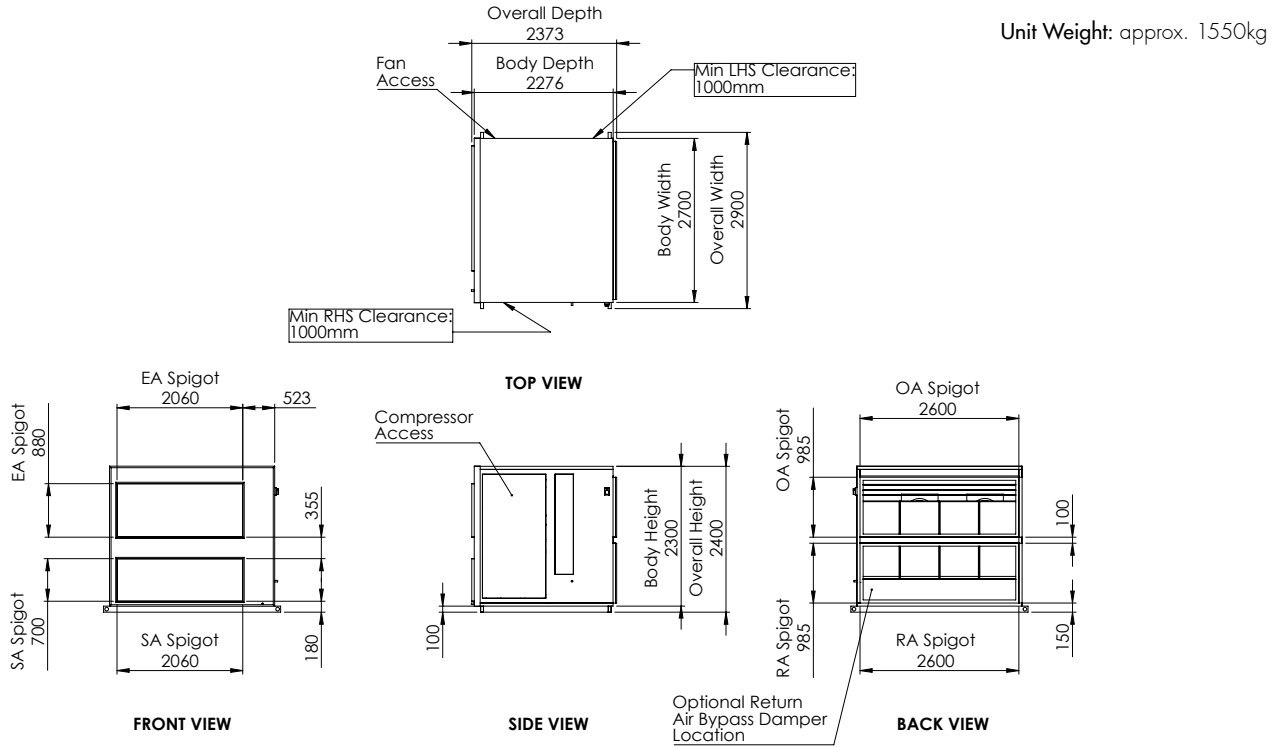
| | |
|-------------------|---|
| Energy Recovery | Default |
| Economy Cycle | HEX Bypass for Free Cooling (optional) |
| Return Air Bypass | HEX Bypass for Recirculation (optional) |

* The plate heat exchangers are designed to operate to a maximum 300Pa pressure differential (inlet condition) between primary and secondary air streams.

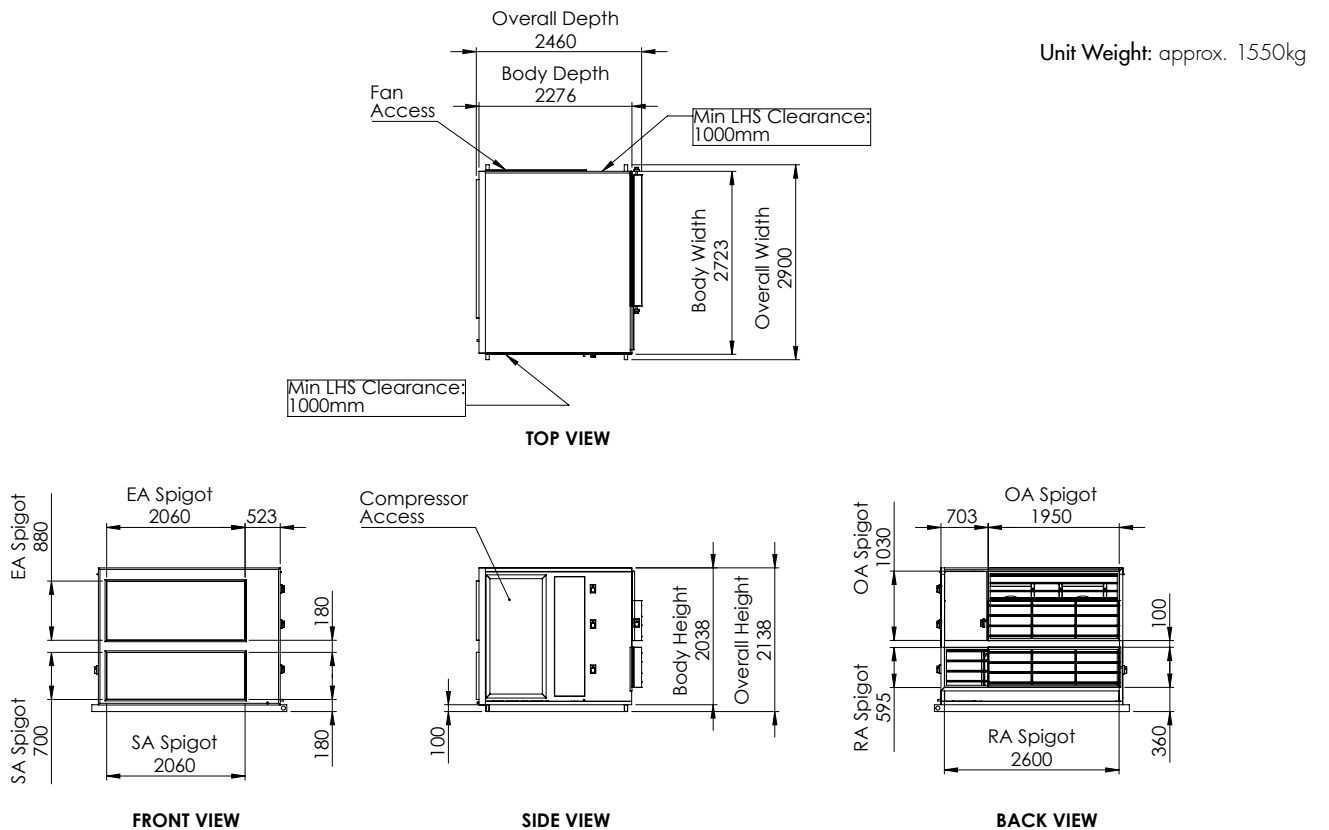
ACL65RCRTP

Dimensions

Standard Configuration*



Economy Cycle Configuration*

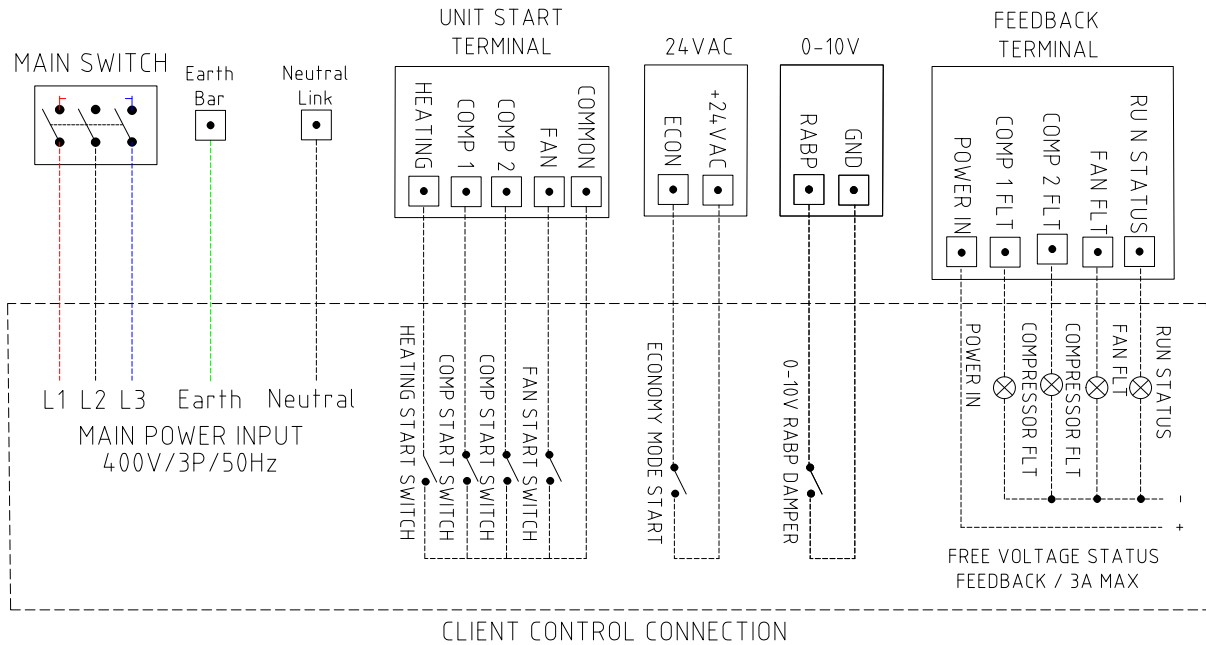


* Dimensions and weight are subject to change, depending on project requirements (incl. compressor option). Refer to project certified drawings for finalised details.

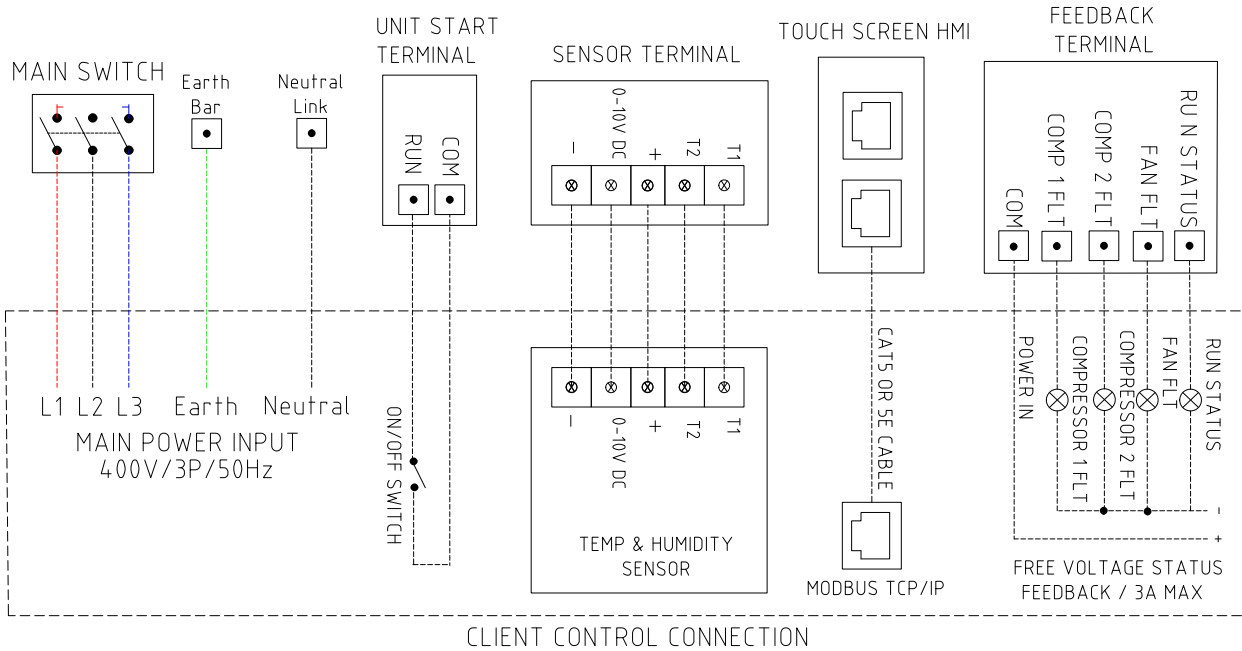
ACL65RCRTP

Electrical

Wiring Diagram (Standard Low Level Control Interface)*



Wiring Diagram (Optional ClimaSync Control System)*



Electrical Input

Indicative Electrical Input details†

| | DOL Compressor (standard) | BLDC Inverter Compressor (optional) |
|------------------------------|---------------------------|-------------------------------------|
| Voltage / Phases / Frequency | 415V / 3ph / 50Hz | 415V / 3ph / 50Hz |
| Full Load Amps | 65A | 77A |

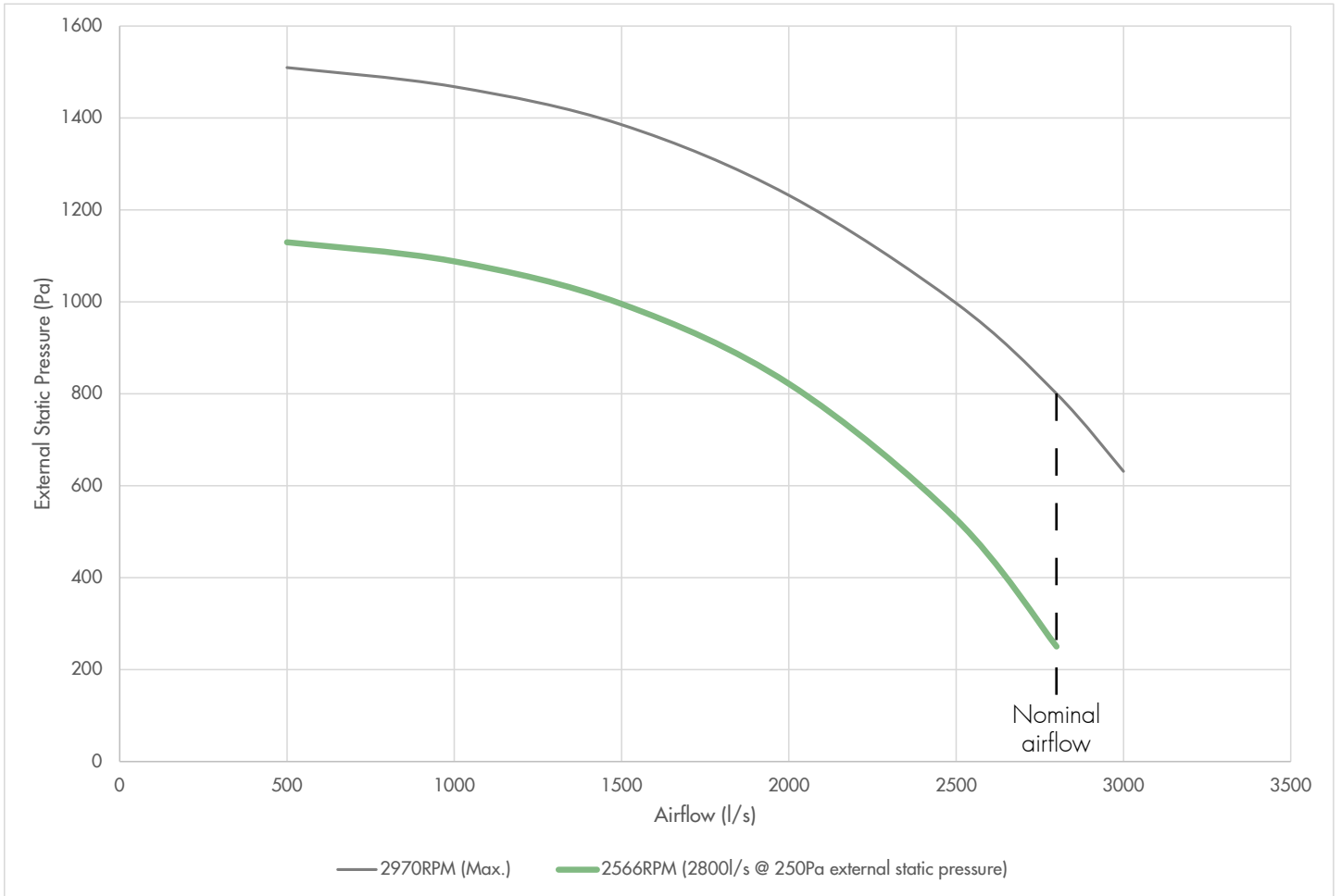
* Connection details are subject to change, depending on project requirements. Refer to project certified electrical diagrams for finalised details.

† Unit FLA is subject to change, depending on project requirements. Refer to project certified electrical diagrams for finalised details.

ACL65RCRTP

Airflow & Noise

Supply Air Fan Curve*



* Fan curve makes allowance for internal pressure drop of unit. This pressure drop is subject to change, depending on project requirements. Supply air fan selection options are available.

Supply Air Fan Acoustics (Sound Power)†

2800l/s @ 250 Pa External Static Pressure

Inlet

| Frequency (Hz) | sum | 63 | 125 | 250 | 500 | 1000 | 2000 | 4000 | 8000 |
|----------------------------|-----|----|-----|-----|-----|------|------|------|------|
| A-weighted (dB) | 82 | 47 | 56 | 76 | 76 | 74 | 74 | 71 | 73 |
| Non A-weighted (dB) | 86 | 73 | 72 | 83 | 79 | 74 | 73 | 70 | 75 |

Outlet

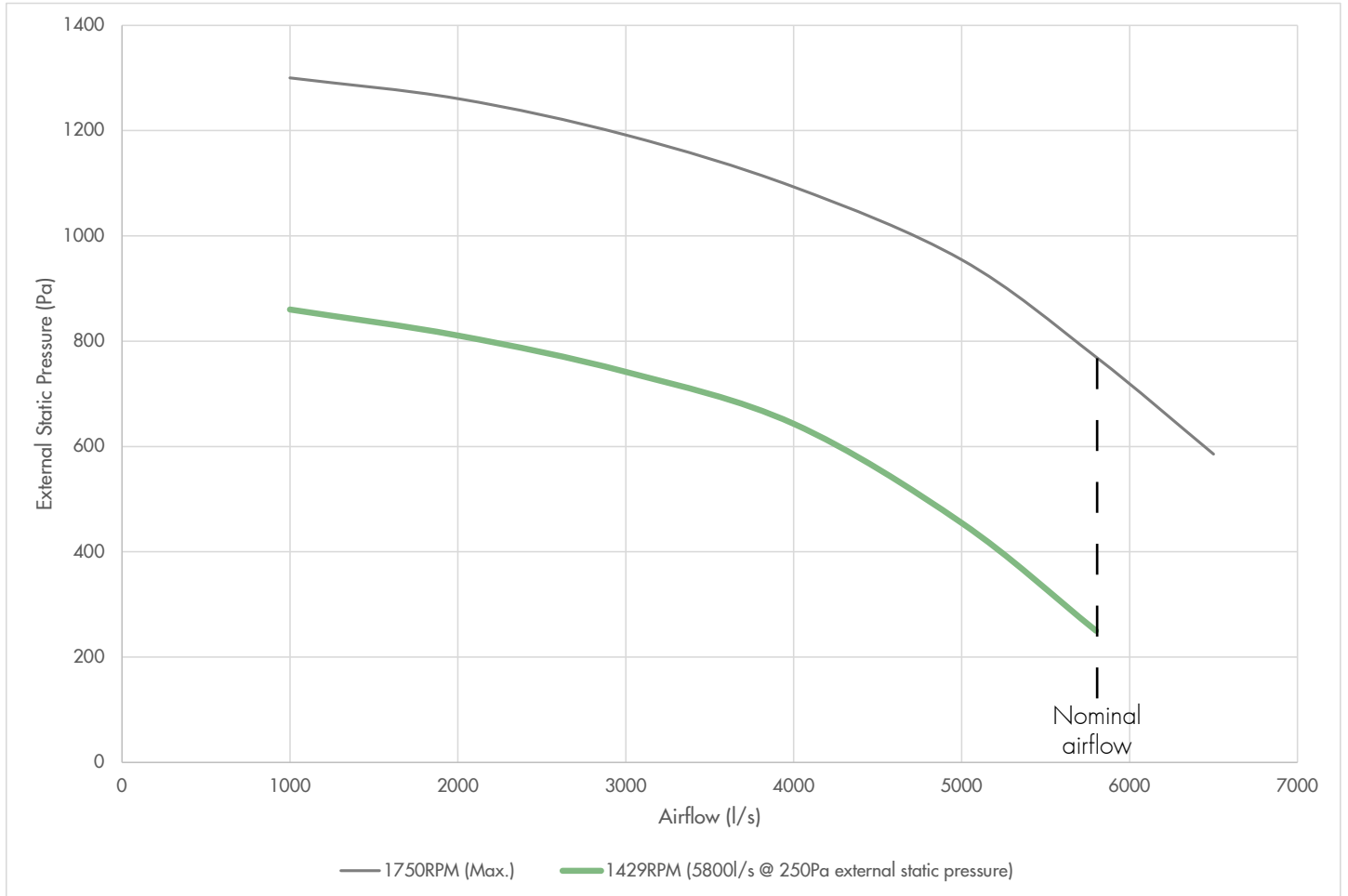
| Frequency (Hz) | sum | 63 | 125 | 250 | 500 | 1000 | 2000 | 4000 | 8000 |
|----------------------------|-----|----|-----|-----|-----|------|------|------|------|
| A-weighted (dB) | 88 | 48 | 58 | 78 | 79 | 84 | 82 | 77 | 76 |
| Non A-weighted (dB) | 90 | 74 | 74 | 85 | 82 | 84 | 80 | 76 | 77 |

† Noise data considers supply air fans only, without attenuation by the cabinet. Filter drop to be factored into the 250Pa external static pressure allowance.

ACL65RCRTP

Airflow & Noise

Exhaust Air Fan Curve (incl. Condenser Make-up Air)*



* Fan curve makes allowance for internal pressure drop of unit. This pressure drop is subject to change, depending on project requirements. Exhaust air fan selection options are available.

Exhaust Air Fan Acoustics (Sound Power)†

5800l/s @ 250 Pa External Static Pressure

Inlet

| Frequency (Hz) | sum | 63 | 125 | 250 | 500 | 1000 | 2000 | 4000 | 8000 |
|----------------------------|-----|----|-----|-----|-----|------|------|------|------|
| A-weighted (dB) | 82 | 47 | 72 | 75 | 75 | 74 | 73 | 72 | 67 |
| Non A-weighted (dB) | 89 | 72 | 86 | 83 | 79 | 74 | 72 | 71 | 68 |

Outlet

| Frequency (Hz) | sum | 63 | 125 | 250 | 500 | 1000 | 2000 | 4000 | 8000 |
|----------------------------|-----|----|-----|-----|-----|------|------|------|------|
| A-weighted (dB) | 87 | 50 | 76 | 78 | 82 | 82 | 78 | 76 | 71 |
| Non A-weighted (dB) | 93 | 76 | 90 | 86 | 85 | 82 | 77 | 75 | 72 |

† Noise data considers exhaust air fans only, without attenuation by the cabinet. Filter drop to be factored into the 250Pa external static pressure allowance.